

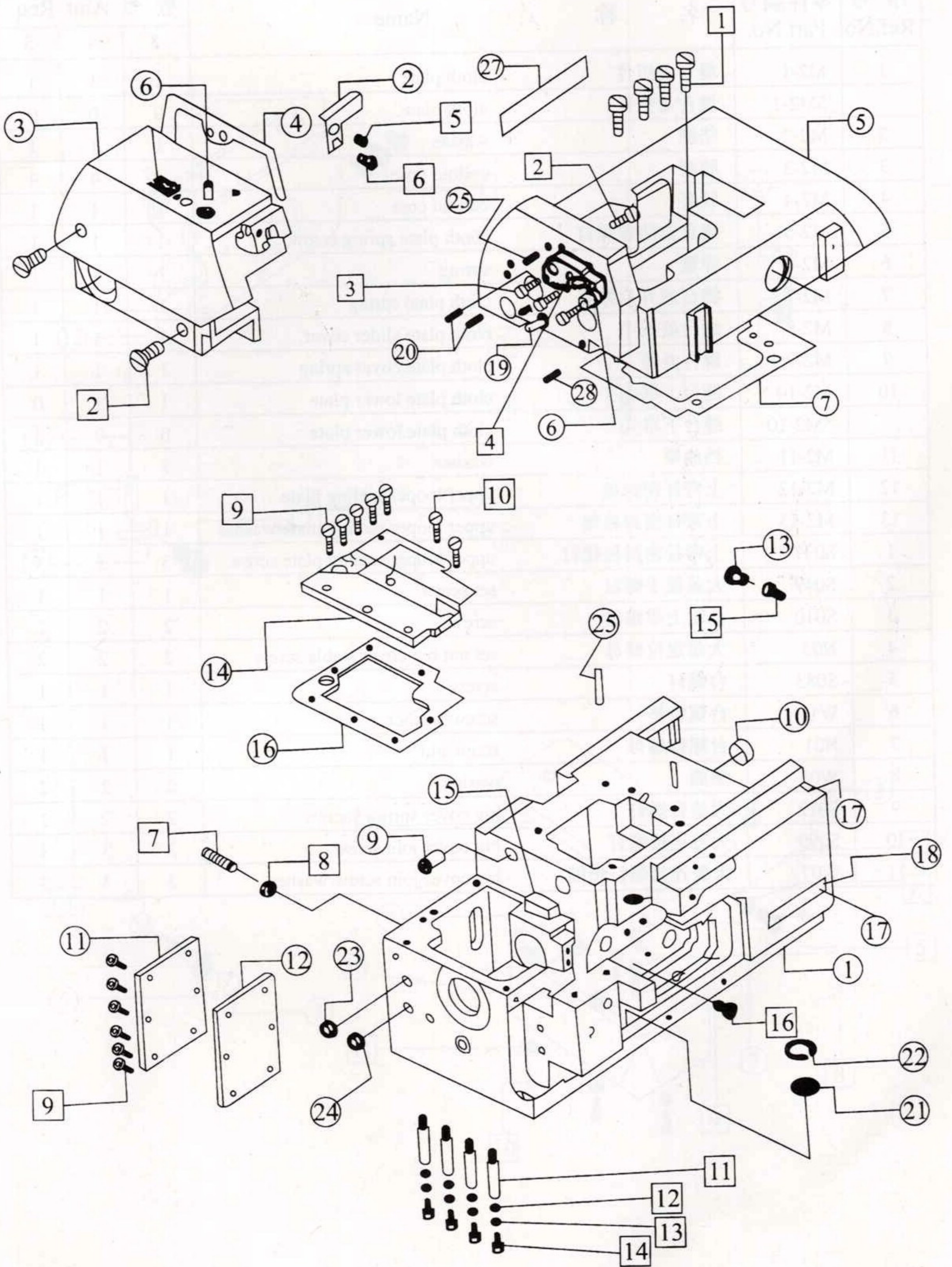
零件号 / Part No.	名称 / Name	数量 / Qty.	备注 / Remarks
1	机壳盖 / Case Cover	1	
2	机壳底 / Case Base	1	
3	机壳侧板 / Case Side Panel	2	
4	机壳前板 / Case Front Panel	1	
5	机壳后板 / Case Back Panel	1	
6	机壳顶板 / Case Top Panel	1	
7	机壳底板 / Case Bottom Panel	1	
8	机壳侧板 / Case Side Panel	2	
9	机壳前板 / Case Front Panel	1	
10	机壳后板 / Case Back Panel	1	
11	机壳顶板 / Case Top Panel	1	
12	机壳底板 / Case Bottom Panel	1	
13	机壳侧板 / Case Side Panel	2	
14	机壳前板 / Case Front Panel	1	
15	机壳后板 / Case Back Panel	1	
16	机壳顶板 / Case Top Panel	1	
17	机壳底板 / Case Bottom Panel	1	
18	机壳侧板 / Case Side Panel	2	
19	机壳前板 / Case Front Panel	1	
20	机壳后板 / Case Back Panel	1	
21	机壳顶板 / Case Top Panel	1	
22	机壳底板 / Case Bottom Panel	1	
23	机壳侧板 / Case Side Panel	2	
24	机壳前板 / Case Front Panel	1	
25	机壳后板 / Case Back Panel	1	
26	机壳顶板 / Case Top Panel	1	
27	机壳底板 / Case Bottom Panel	1	
28	机壳侧板 / Case Side Panel	2	
29	机壳前板 / Case Front Panel	1	
30	机壳后板 / Case Back Panel	1	
31	机壳顶板 / Case Top Panel	1	
32	机壳底板 / Case Bottom Panel	1	
33	机壳侧板 / Case Side Panel	2	
34	机壳前板 / Case Front Panel	1	
35	机壳后板 / Case Back Panel	1	
36	机壳顶板 / Case Top Panel	1	
37	机壳底板 / Case Bottom Panel	1	
38	机壳侧板 / Case Side Panel	2	
39	机壳前板 / Case Front Panel	1	
40	机壳后板 / Case Back Panel	1	
41	机壳顶板 / Case Top Panel	1	
42	机壳底板 / Case Bottom Panel	1	
43	机壳侧板 / Case Side Panel	2	
44	机壳前板 / Case Front Panel	1	
45	机壳后板 / Case Back Panel	1	
46	机壳顶板 / Case Top Panel	1	
47	机壳底板 / Case Bottom Panel	1	
48	机壳侧板 / Case Side Panel	2	
49	机壳前板 / Case Front Panel	1	
50	机壳后板 / Case Back Panel	1	
51	机壳顶板 / Case Top Panel	1	
52	机壳底板 / Case Bottom Panel	1	
53	机壳侧板 / Case Side Panel	2	
54	机壳前板 / Case Front Panel	1	
55	机壳后板 / Case Back Panel	1	
56	机壳顶板 / Case Top Panel	1	
57	机壳底板 / Case Bottom Panel	1	
58	机壳侧板 / Case Side Panel	2	
59	机壳前板 / Case Front Panel	1	
60	机壳后板 / Case Back Panel	1	
61	机壳顶板 / Case Top Panel	1	
62	机壳底板 / Case Bottom Panel	1	
63	机壳侧板 / Case Side Panel	2	
64	机壳前板 / Case Front Panel	1	
65	机壳后板 / Case Back Panel	1	
66	机壳顶板 / Case Top Panel	1	
67	机壳底板 / Case Bottom Panel	1	
68	机壳侧板 / Case Side Panel	2	
69	机壳前板 / Case Front Panel	1	
70	机壳后板 / Case Back Panel	1	
71	机壳顶板 / Case Top Panel	1	
72	机壳底板 / Case Bottom Panel	1	
73	机壳侧板 / Case Side Panel	2	
74	机壳前板 / Case Front Panel	1	
75	机壳后板 / Case Back Panel	1	
76	机壳顶板 / Case Top Panel	1	
77	机壳底板 / Case Bottom Panel	1	
78	机壳侧板 / Case Side Panel	2	
79	机壳前板 / Case Front Panel	1	
80	机壳后板 / Case Back Panel	1	
81	机壳顶板 / Case Top Panel	1	
82	机壳底板 / Case Bottom Panel	1	
83	机壳侧板 / Case Side Panel	2	
84	机壳前板 / Case Front Panel	1	
85	机壳后板 / Case Back Panel	1	
86	机壳顶板 / Case Top Panel	1	
87	机壳底板 / Case Bottom Panel	1	
88	机壳侧板 / Case Side Panel	2	
89	机壳前板 / Case Front Panel	1	
90	机壳后板 / Case Back Panel	1	
91	机壳顶板 / Case Top Panel	1	
92	机壳底板 / Case Bottom Panel	1	
93	机壳侧板 / Case Side Panel	2	
94	机壳前板 / Case Front Panel	1	
95	机壳后板 / Case Back Panel	1	
96	机壳顶板 / Case Top Panel	1	
97	机壳底板 / Case Bottom Panel	1	
98	机壳侧板 / Case Side Panel	2	
99	机壳前板 / Case Front Panel	1	
100	机壳后板 / Case Back Panel	1	

# 零件图册

## Parts Book

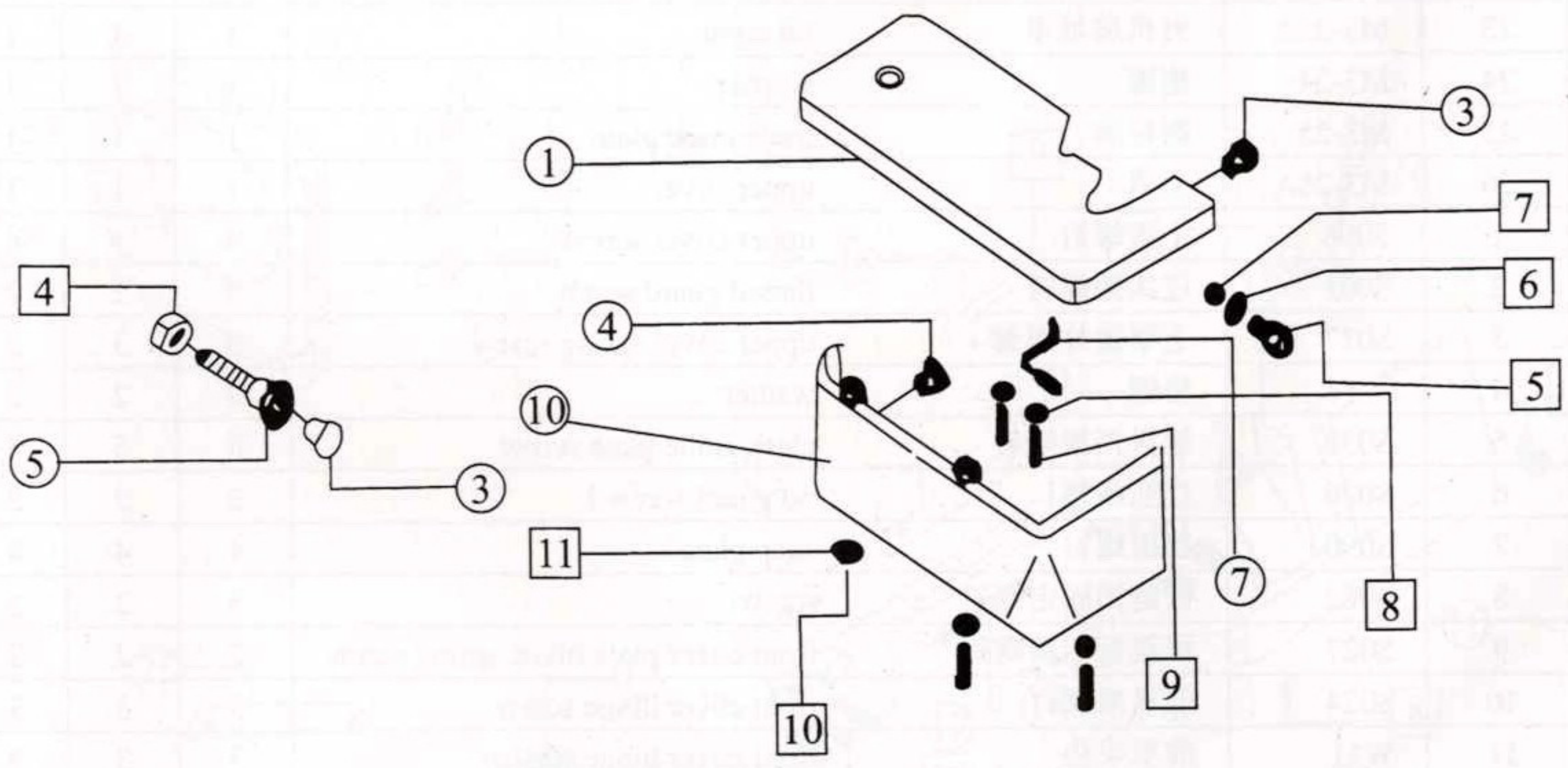
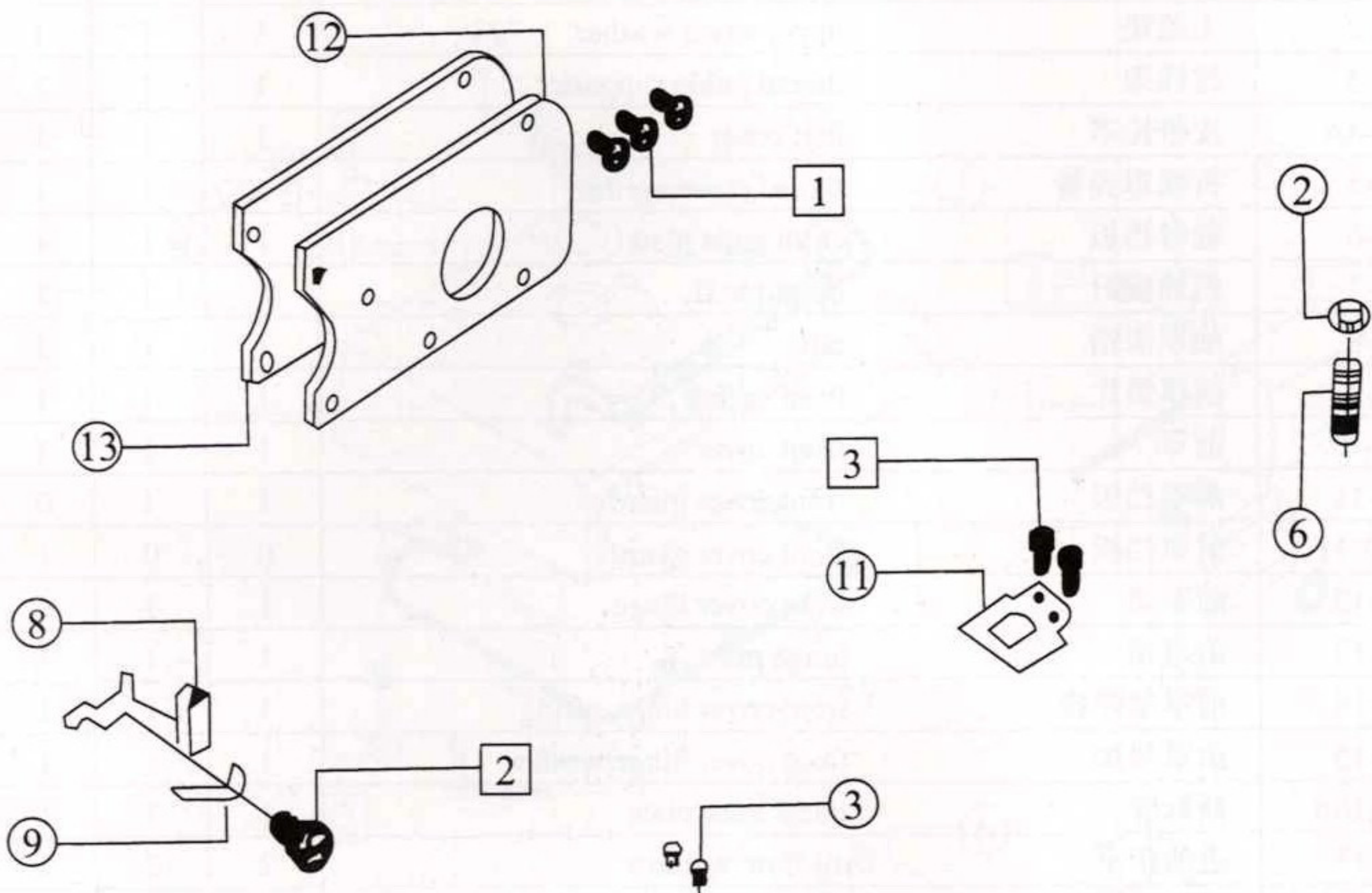
# 一、机壳部分 / Frame assemblies

序号 Ref.No	零件编号 Part No.	名称	Name	数量 Amt. Req.		
				3线	4线	5线
1	M1-1A	机壳	machine frame	1	1	1
2	M1-2	针线罩壳护板	needle thread cover plate	1	1	1
3	M1-3A	上节罩	upper oncde cover	1	1	1
4	M1-4A	上节罩垫	upper oncde cover pad	1	1	1
5	M1-5A	车壳上节	lather shell upper knot	1	1	1
6	M1-6	针杆座	needle plate	1	1	1
7	M1-7	上节垫片	upper washer	1	1	1
8	M1-8	油管	oil tube	1	1	1
9	M1-9	回油胶套	rear oil adhesive case	1	1	1
10	M1-10	油封	oil seal	1	1	1
11	M1-11	后盖板	rear cover	1	1	1
12	M1-12	后盖板油封	rear cover oil seal	1	1	1
13	M1-13	油封	oil seal	1	1	1
14	M1-14	盖板	cover	1	1	1
15	M1-15	油封垫	oil sear washer	1	1	1
16	M1-16	盖板垫	cover washer	1	1	1
17	M1-17	铆钉	rivet	4	4	4
18	M1-18A	机型牌	machine modle plate	1	1	1
19	M1-19	塑料管	model tube	1	1	1
20	M1-20	圆柱销	pin	2	2	2
21	M1-21	滤油网	oil screen	1	1	1
22	M1-22	卡簧	snap ring	1	1	1
23	M1-23	油封1	oil seal I	1	1	1
24	M1-24	油封11	oil seal II	1	1	1
25	M1-25	开口销	begin pin	4	4	4
26	M1-26	商标牌	trade mark plste	1	1	1
27	M1-28	标牌	mard plate	1	1	1
28	M1-29	油量调节销	oil amount adjusting pin	1	1	1
1	S064	车壳连接螺钉	screw	4	4	4
2	S065	左罩螺钉	screw	3	3	3
3	S054	针杆座螺钉	needle bar asm screw	2	2	2
4	S061	针杆座紧固螺钉	needle lind set screw	1	1	1
5	S009	针杆罩壳护板顶丝	needle thread cover plate top silk	1	1	1
6	S071	针杆罩壳护板紧固螺钉	needle thread cover plate set screw	1	1	1
7	S041	大盖轴调节螺钉	main cover bearing regulate screw	1	1	1
8	N03	大盖轴调节螺母	main cover bearing regulate nut	1	1	1
9	S032	后盖板螺钉	rear cover plate	11	11	11
10	S036	盖板螺钉	lower cover plate	2	2	2
11	S081	油盘连接螺钉	oil pan join screw	4	4	4
12	W14	油盘连接垫圈	washer	4	4	4
13	W03	油盘连接弹性垫圈	elasticity washer	4	4	4
14	S080	油盘连接内六角螺钉	nexagon socker screw	4	4	4
15	S044	螺钉	screw	1	1	1
16	S065	螺钉	screw	1	1	1

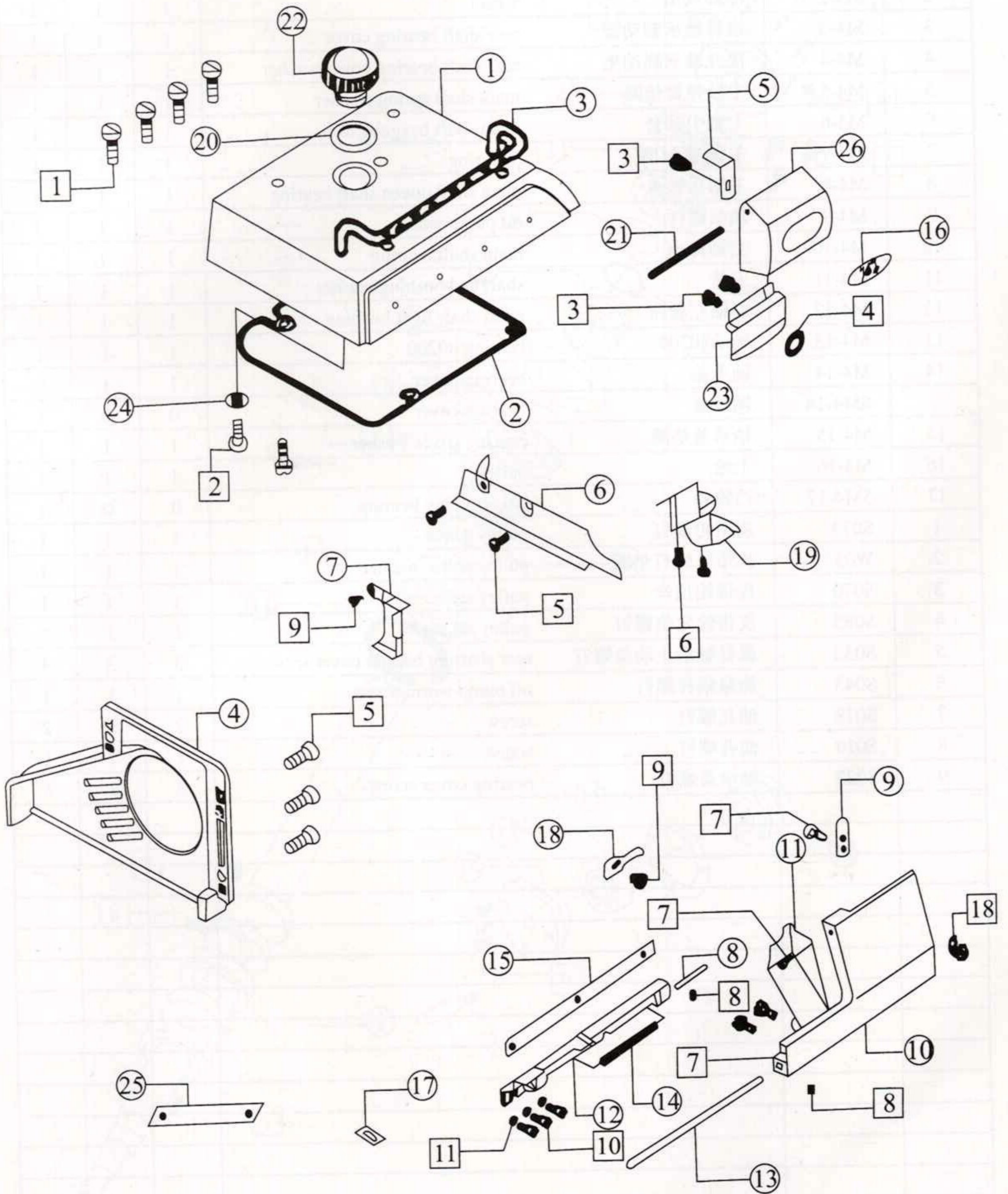


## 二、缝台部分 / Cloth plate assemblies

序号 Ref.No	零件编号 Part No.	名称 Name	数量 Amt. Req.		
			3	4	5
1	M2-1	缝台盖组件 cloth plate	1	1	1
	5M2-1	缝台盖组件 cloth plate	0	0	0
2	M2-2	垫圈 washer	1	1	1
3	M2-3	胶套 colloid cose	4	4	4
4	M2-4	胶套 colloid cose	1	1	1
5	M2-5	缝台盖防震螺钉 choth plate spring screw	1	1	1
6	M2-6	弹簧 spring	1	1	1
7	M2-7	缝台盖开启弹簧 cloth plate spring	1	1	1
8	M2-8	缝台盖扳手 cloth plate slider cover	1	1	1
9	M2-9	缝合盖簧 cloth plate cover spring	1	1	1
10	M2-10	缝台下罩壳 cloth plate lower plate	1	1	0
	5M2-10	缝台下罩壳 cloth plate lower plate	0	0	1
11	M2-11	挡油罩 washer	1	1	1
12	M2-12	上弯针密封板 upper looper sealing plate	1	1	1
13	M2-13	上弯针密封板垫 upper looper sealing plate washer	1	1	1
1	S037	上弯针密封板螺钉 upper looper sealing plate screw	3	3	3
2	S049	大盖扳手螺钉 set screw	1	1	1
3	S010	凸轮上罩螺钉 screw	2	2	2
4	N03	大盖定位螺母 set nut big cover stable screw	2	2	2
5	S083	台螺钉 screw	1	1	1
6	W11	台螺钉垫 screw washer	1	1	1
7	N01	台螺钉螺母 screw nut	1	1	1
8	W08	垫圈 washer	2	2	2
9	S012	大盖簧螺钉 big cover spring vscrew	2	2	2
10	S099	大盖连接螺钉 big cover join screw	3	3	3
11	W07	大盖连接螺钉垫圈 big cover join screw washer	3	3	3

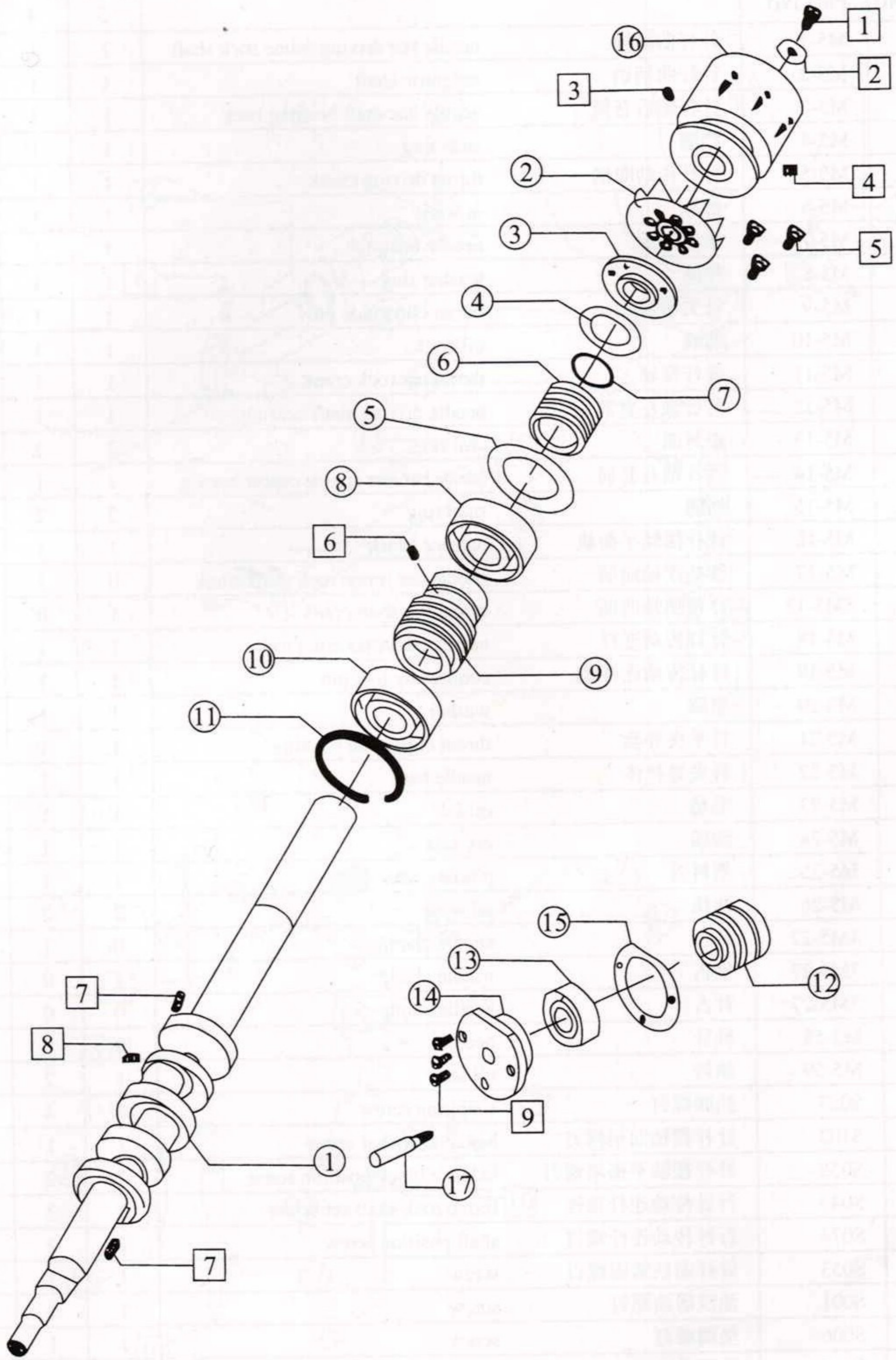






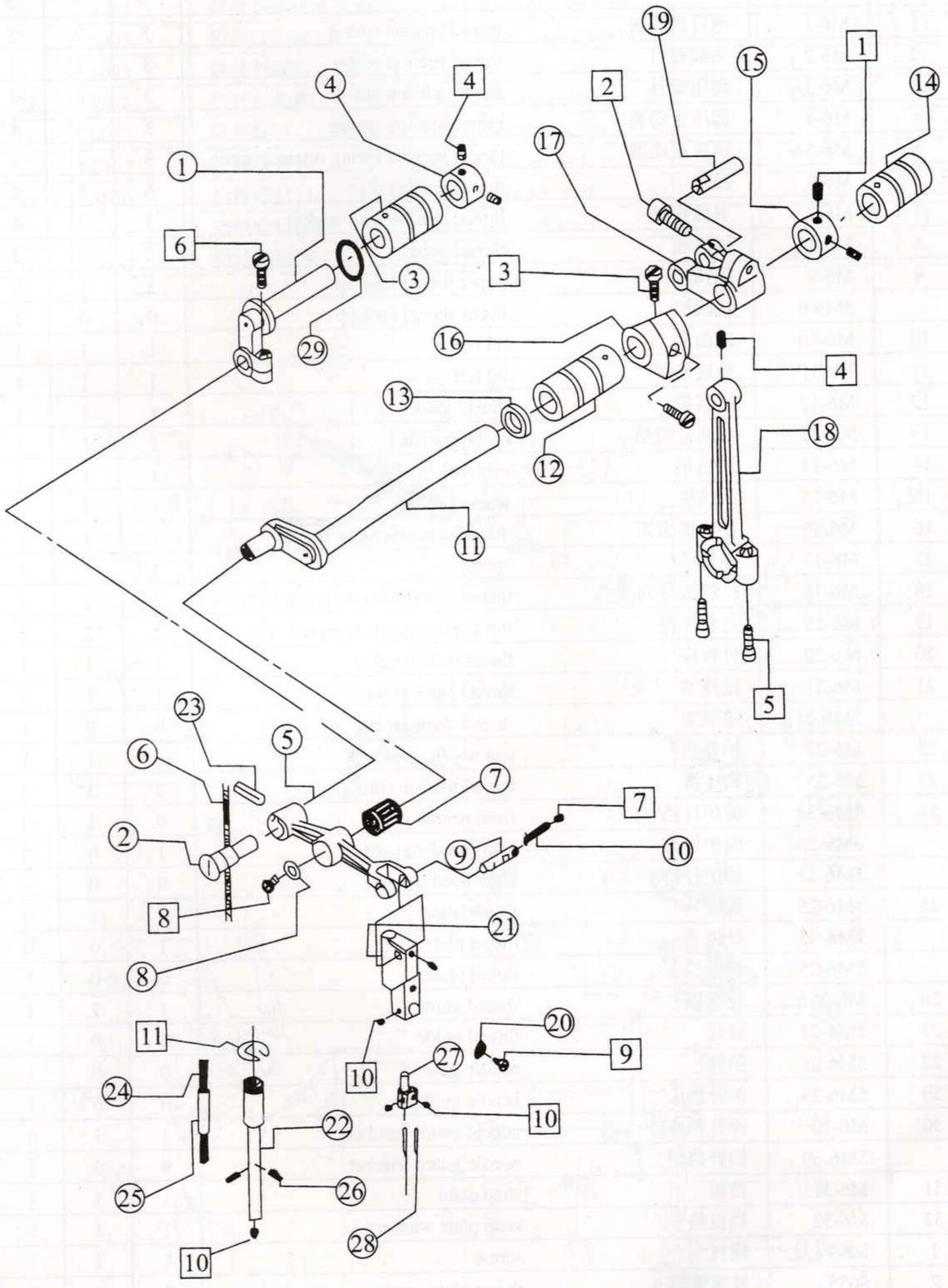






## 五、针杆部分 / Needle bar assemblies

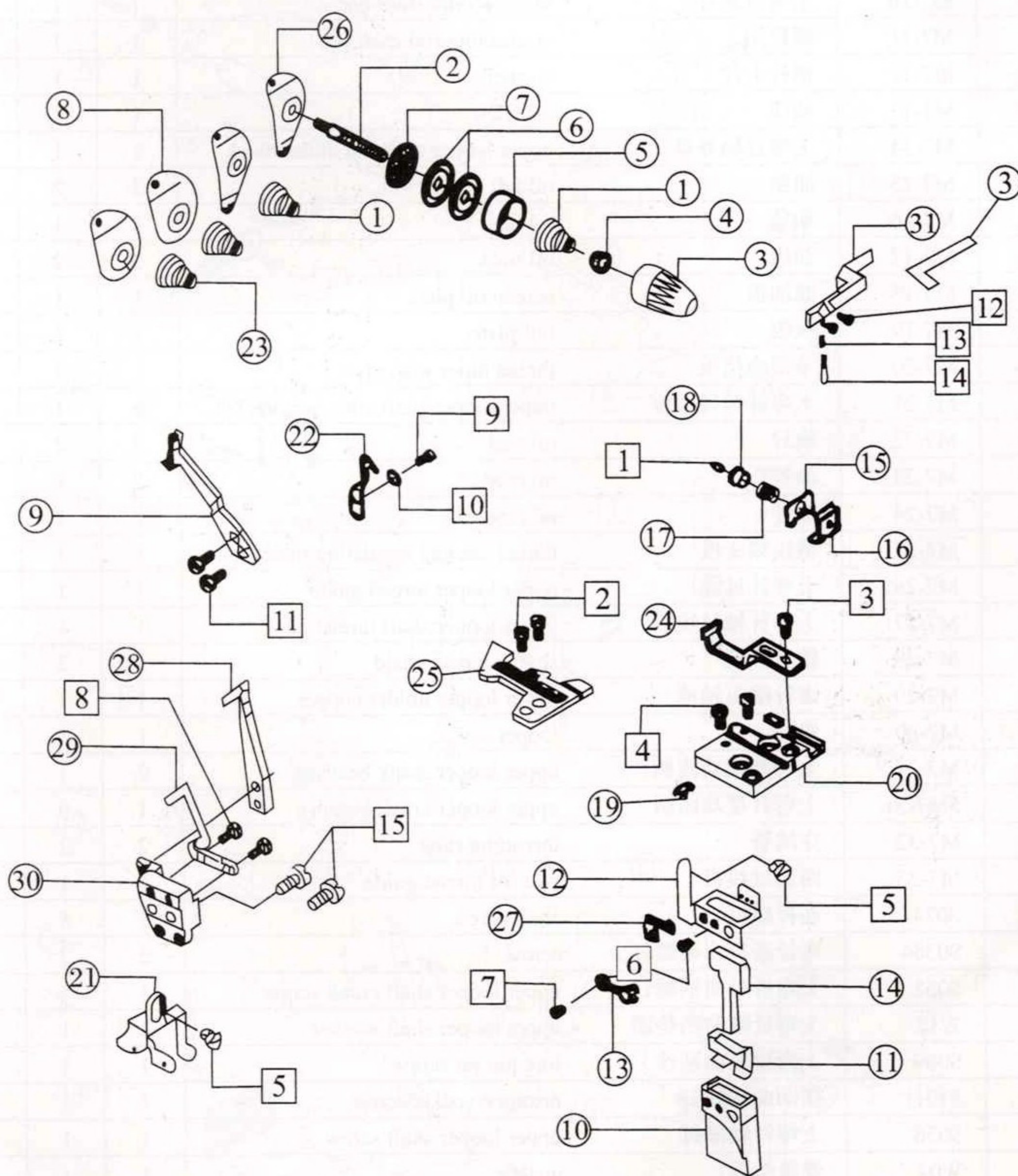
序号 Ref.No	零件编号 Part No.	名称 Name	数量 Amt. Req.		
			3	4	5
1	M5-1	针杆曲柄轴 needle bur driving frame rock shaft	1	1	1
2	M5-2	针杆曲柄销 eccentric shaft	1	1	1
3	M5-3	针杆轴后套筒 needle bar shaft bushing back	1	1	1
4	M5-4	挡圈 snap ring	1	1	1
5	M5-5	针杆传动曲柄 throat driving crank	1	1	1
6	M5-6	油线 oi wick	1	1	1
7	M5-7	滚针轴承 needle bearing	1	1	1
8	M5-8	垫圈 washer ring	1	1	1
9	M5-9	针夹导线销 throat clip guide pin	1	1	1
10	M5-10	油线 oil wick	1	1	1
11	M5-11	针杆摆轴 throat bar rock crank	1	1	1
12	M5-12	行针轴左套筒 needle driving shaft bearing	1	1	1
13	M5-13	密封圈 seal ring	2	2	2
14	M5-14	行针轴右套筒 needle bar rear driving copper bearing	1	1	1
15	M5-15	挡圈 snap ring	2	2	2
16	M5-16	针杆摆轴平衡块 balance block	1	1	1
17	M5-17	针杆摆轴曲柄 needle bar frame rock shaft crank	0	1	0
	5M5-17	针杆摆轴曲柄 throat bar shaft crank	1	0	1
18	M5-18	针杆传动连杆 needle bar connecting rod	1	1	1
19	M5-19	针杆传动连杆销 connecting link pin	1	1	1
20	M5-20	垫圈 washer	1	1	1
21	M5-21	针平夹导套 throat clip guide bushing	1	1	1
22	M5-22	针夹导杆体 needle bar	1	1	1
23	M5-23	毛毡 oil felt	1	1	1
24	M5-24	油线 oil wick	1	1	1
25	M5-25	塑料管 plasties tube	1	1	1
26	M5-26	油线 oil wick	2	2	2
27	4M5-27	针古 needle clamp	0	1	0
	3M5-27	针古 needle clamp	1	0	0
	5M5-27	针古 needle clamp	0	0	0
28	M5-58	机针 needle	0	0	1
29	M5-59	油封 oil seal	1	2	2
1	S057	挡圈螺钉 snep ring screw	4	4	4
2	S102	针杆摆轴曲柄螺钉 hexagon socket screw	1	1	1
3	S055	针杆摆轴平衡块螺钉 balance block position screw	2	2	2
4	S043	行针传动连杆顶丝 frame rock shaft set screw	3	3	3
5	S074	行针传动连杆螺钉 shaft position screw	2	2	2
6	S053	针杆曲柄紧固螺钉 screw	1	1	1
7	S001	油线堵油螺钉 screw	1	1	1
8	S006	垫圈螺钉 screw	1	1	1
9	S012	垫圈螺钉 screw	1	1	1
10	S009	顶圈螺钉 screw	5	5	5
11	E01	卡簧 snap ring	1	1	1



## 六、过线部分 / Thread guide assemblies

序号 Ref.No	零件编号 Part No.	名称 Name	数量 Amt. Req.		
			3	4	5
1	M6-1	弯针调压簧 thread tension spring	1	2	2
2	M6-2	夹线螺钉 thread tension screw	3	4	4
3	M6-3A	调压螺母 thread tension nut	3	4	4
4	M6-4	调压止动套 thread tension spring	3	4	4
5	M6-5A	调压止动盖 thread tension spring retainer house	3	4	4
6	M6-6	线片 thread tension disc	6	8	8
7	M6-7	夹线片垫 thread tension disc washer	3	4	4
8	M6-8A	过线板 thread guide	2	2	2
9	M6-9	挑线板 upper thread take-up	1	1	0
	5M6-9	挑线板 upper thread take-up	0	0	1
10	M6-10	硅油盒 oil box	1	1	1
11	M6-11	油毡垫架 oil felt	1	1	1
12	M6-12	过线架 thread guide	1	1	1
13	M6-13	硅油盒胶垫 oil box washer	1	1	1
14	M6-14	油毡垫 oil felt	1	1	1
15	M6-15	拦线板 tension spring	1	1	1
16	M6-16	拦线板去架 thread controller disc holder	1	1	1
17	M6-17	弹簧 spring	1	1	1
18	M6-18	拦线板导向套 thread controller disc guide bushing	1	1	1
19	M6-19	针板座键 throat plate positionign rod	2	2	2
20	M6-20	针板座 throat plate barcket	1	1	1
21	M6-21	过线架 thread mark guide	1	1	0
	5M6-21	过线架 thread mark guide	0	0	1
22	M6-22	护针挡 teat needle guard	1	1	1
23	M6-23	调压簧 thread tension spring	2	2	2
24	4M6-24	前护针挡 front needle guard	0	1	0
	3M6-24	前护针挡 front needle guard	1	0	0
	5M6-24	前护针挡 front needle guard	0	0	1
25	4M6-25	针板 throat plate	0	1	0
	3M6-25	针板 throat plate	1	0	0
	5M6-25	针板 throat plate	0	0	1
26	M6-26A	过线板 thread guide	1	2	1
27	5M6-27	过线 thread guide	0	0	1
28	5M6-28	护针I needle guard I	0	0	1
29	5M6-29	护针挡II needle guide II	0	0	1
30	M6-30	护针挡座 needle guard barcket	1	1	0
	5M6-30	护针挡座 needle guard barcket	0	0	1
31	M6-31	挡板 snap plate	1	1	1
32	M6-32	挡板垫 snap plate washer	1	1	1
1	S099	螺钉 screw	1	1	1
2	S035	针板螺钉 throat plate screw	2	2	2
3	S016	前护针板螺钉 fornnt needle snap screw	1	1	1
4	S061	针板座螺 throat plat barcket screw	2	2	2
5	S015	过线架螺钉 thread guide holder screw	2	2	2

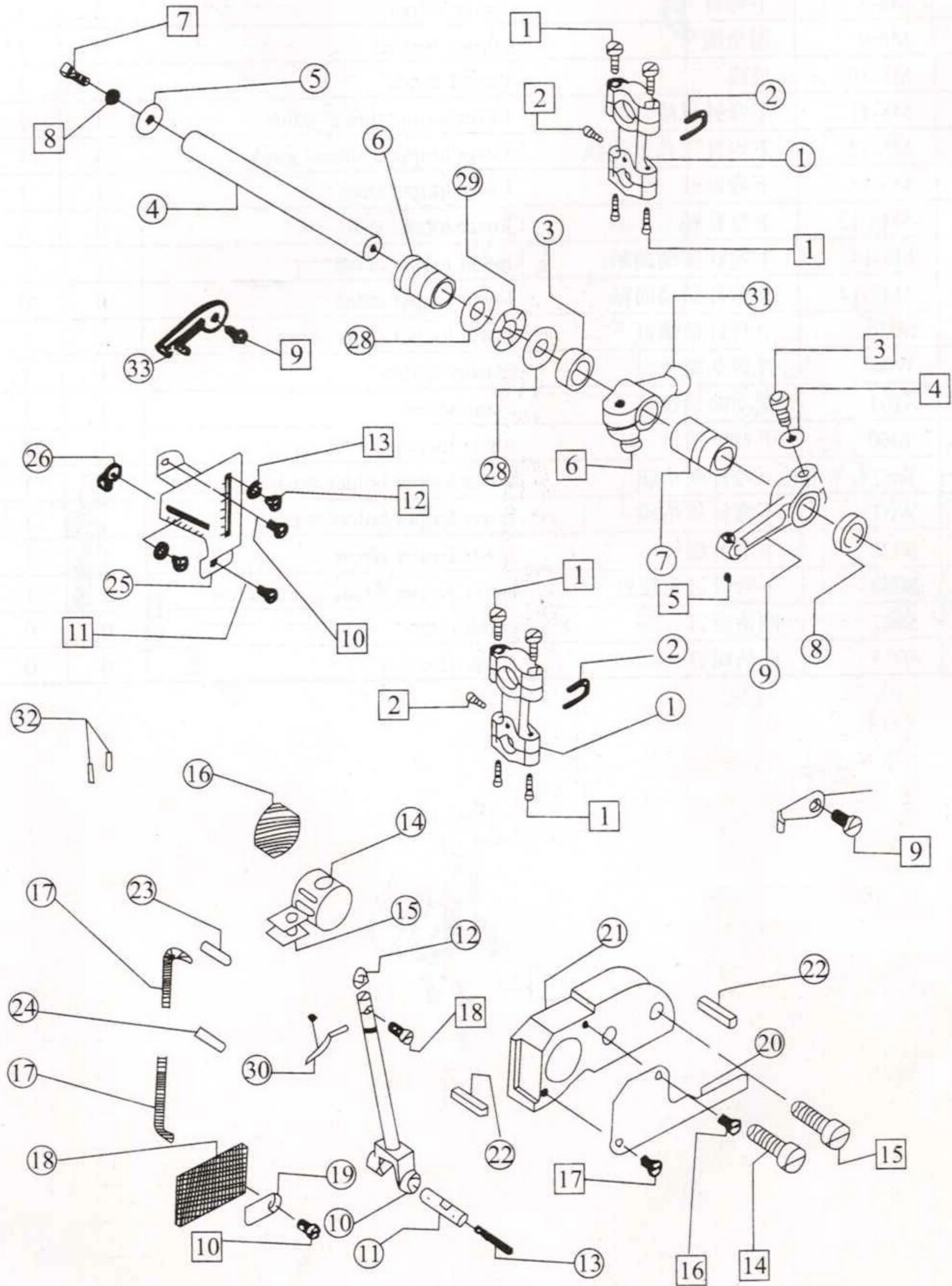
序号 Ref.No	零件编号 Part No.	名称 Name	数量 Amt. Req.		
			3	4	5
6	S033	硅油盒固定螺钉 oil box set screw	1	1	1
7	S072	硅油盒胶垫固定螺钉 oil box washer set screw	1	1	1
8	S005	后护针挡螺钉 rear needle guard screw	2	2	2
9	S023	护针挡螺钉 needle guard screw	1	1	1
10	W07	护针挡垫圈 needle tuard washer	1	1	1
11	S017	挑线螺钉 thread take up screw	2	2	2
12	S103	挡板螺钉1 snap plate screw I	2	2	2
13	S019	挡板螺钉11 snap plate screw II	1	1	1
14	S104	挡板定位螺钉 snap plate set screw	1	1	1
15	S045	护针挡座螺钉 screw	2	2	2



## 七、上弯针部分 / Upper looper assemblies

序号 Ref.No	零件编号 Part No.	名称	Name	数量 Amt. Req.		
				3	4	5
1	M7-1	弯针连杆	looper link	2	2	2
2	M7-2	弯针连杆摆架	looper link holder	2	2	2
3	M7-3	厚垫圈	thickness washer	0	1	0
	5M7-3	厚垫圈	thickness washer	1	0	1
4	M7-4	上弯针轴	upper looper shaft	1	1	1
5	M7-5	大垫圈	big washer	1	1	1
6	M7-6	上弯针轴后套筒	upper looper shaft rear bashing	1	1	1
7	M7-7	上弯针轴前套筒	upper looper shaft foot bushing	1	1	1
8	M7-8	上弯针轴油封	upper looper shaft oil seal	1	1	1
9	M7-9	上弯针轴曲柄	upper looper shaft crant	1	1	1
10	M7-10	上弯针摇杆	upper looper shaft bar	1	1	1
11	M7-11	摇杆销	connecting rod shaft pin	1	1	1
12	M7-12	摇杆卡片	washer	1	1	1
13	M7-13	油线	oil wick	1	1	1
14	M7-14	上弯针轴导块	upper looper slide bar slidel block	1	1	1
15	M7-15	油毡	oil felt	2	2	2
16	M7-16	油毡	oil felt	1	1	1
17	M7-17	油线	oil wick	2	2	2
18	M7-18	滤油板	acreen oil plate	1	1	1
19	M7-19	压板	felt plate	1	1	1
20	M7-20	导架座挡板	thread hlder snap plate	1	1	1
21	M7-21	上弯针轴导架座	upper looper shaft slide bar bracket	1	1	1
22	M7-22	油封	oil seal	2	2	2
23	M7-23	油管	oil tube	1	1	1
24	M7-24	油管	oil tube	1	1	1
25	M7-25	调线刻度板	thread amount regulating plate	1	1	1
26	M7-26	上弯针过线	upper looper thread guide	1	1	1
27	M7-27	上弯针轴过线板	upper looper shaft thread plate	1	1	1
28	M7-28	轴承挡板	shaft bearing guaid	2	2	2
29	M7-29	滚针端面轴承	lower looper holder copper	1	1	1
30	M7-30	弯针	looper	1	1	1
31	M7-31	上弯针摆动曲柄	upper looper crank bearing	0	1	0
	5M7-31	上弯针摆动曲柄	upper looper crank bearing	1	0	1
32	M7-32	穿线管	threading rube	2	2	2
33	M7-33	两孔过线板	two for thread guide	1	1	1
1	S074	连杆螺钉	shaft screw	8	8	8
2	S0384	弯针连杆止动螺钉	screw	2	2	2
3	S058	上弯针轴曲柄螺钉	upper looper shaft crank screw	1	1	1
4	W12	上弯针轴曲柄垫圈	upper looper shaft washer	1	1	1
5	S009	上弯针轴曲柄丝	link pin set screw	1	1	1
6	S101	摆动曲柄螺钉	nexagon socket screw	1	1	1
7	S036	上弯针轴螺钉	upper looper shaft screw	1	1	1
8	W04	弹簧垫圈	wather	1	1	1
9	S032	上弯针轴过线架螺钉	upper looper shaft thread guide screw	2	2	2

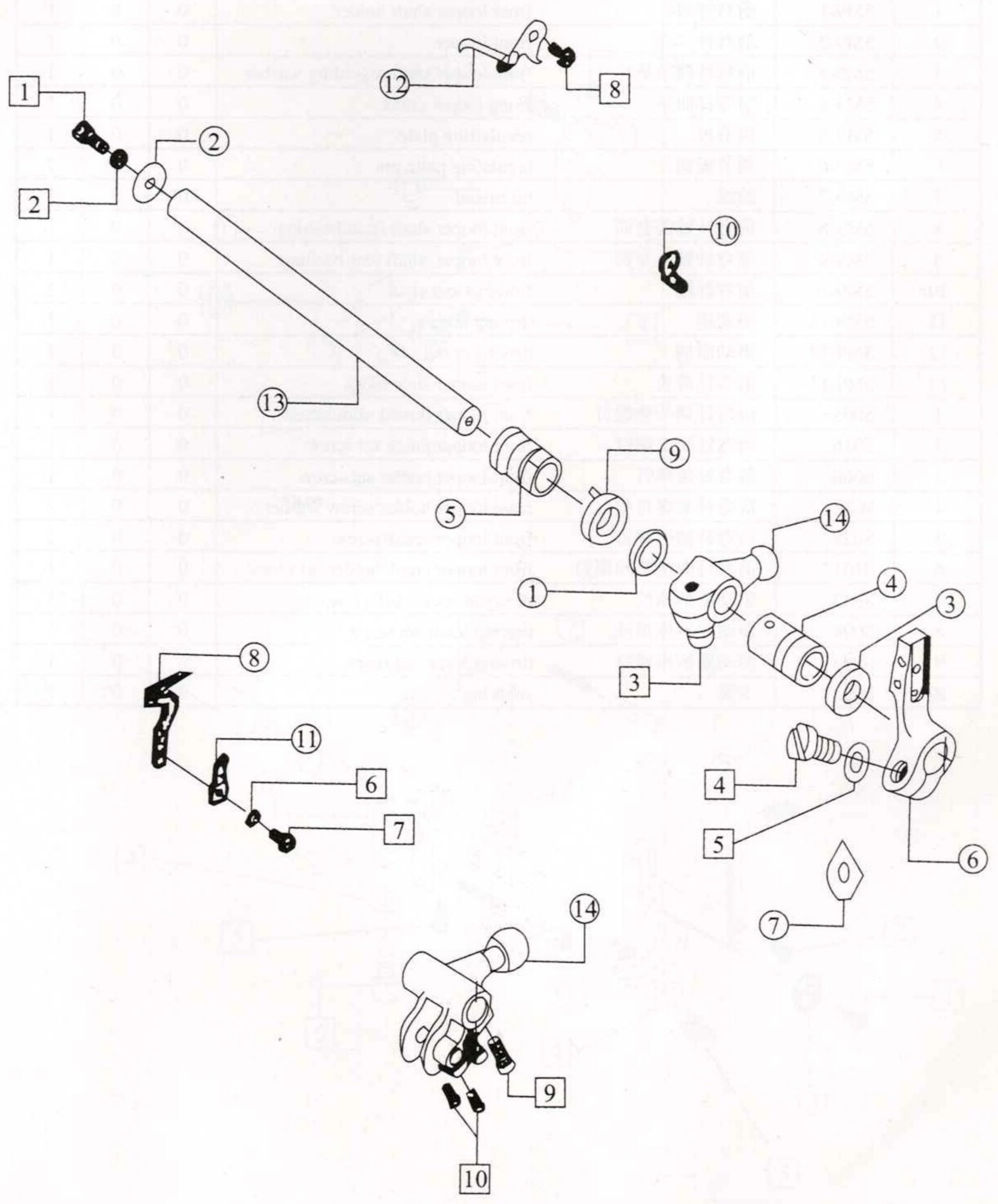
序号 Ref.No	零件编号 Part No.	名称 Name	数量 Amt. Req.			
			3	4	5	
10	S027	调线刻度板螺钉	thread amount regulating plate	2	2	2
11	S037	调线刻度板螺钉	screw	1	1	1
12	S014	弯钉过线螺钉	looper shaft thread guide screw	2	2	2
13	W08	弯针过线垫圈	looper shaft thread guide washer	2	2	2
14	S097	上弯针轴导板螺钉	upper looper shaft thread plate screw	1	1	1
15	S062	上弯针轴导板螺钉	upper looper shaft thread plate screw	1	1	1
16	S012	导架座挡板螺钉	thread holder snap plate screw	1	1	1
17	S095	导线座挡板螺钉	thread holder snap plate screw	1	1	1
18	S015	上弯针紧固螺钉	upper looper set screw	1	1	1



## 八、下弯针部分 / Lower looper assemblies

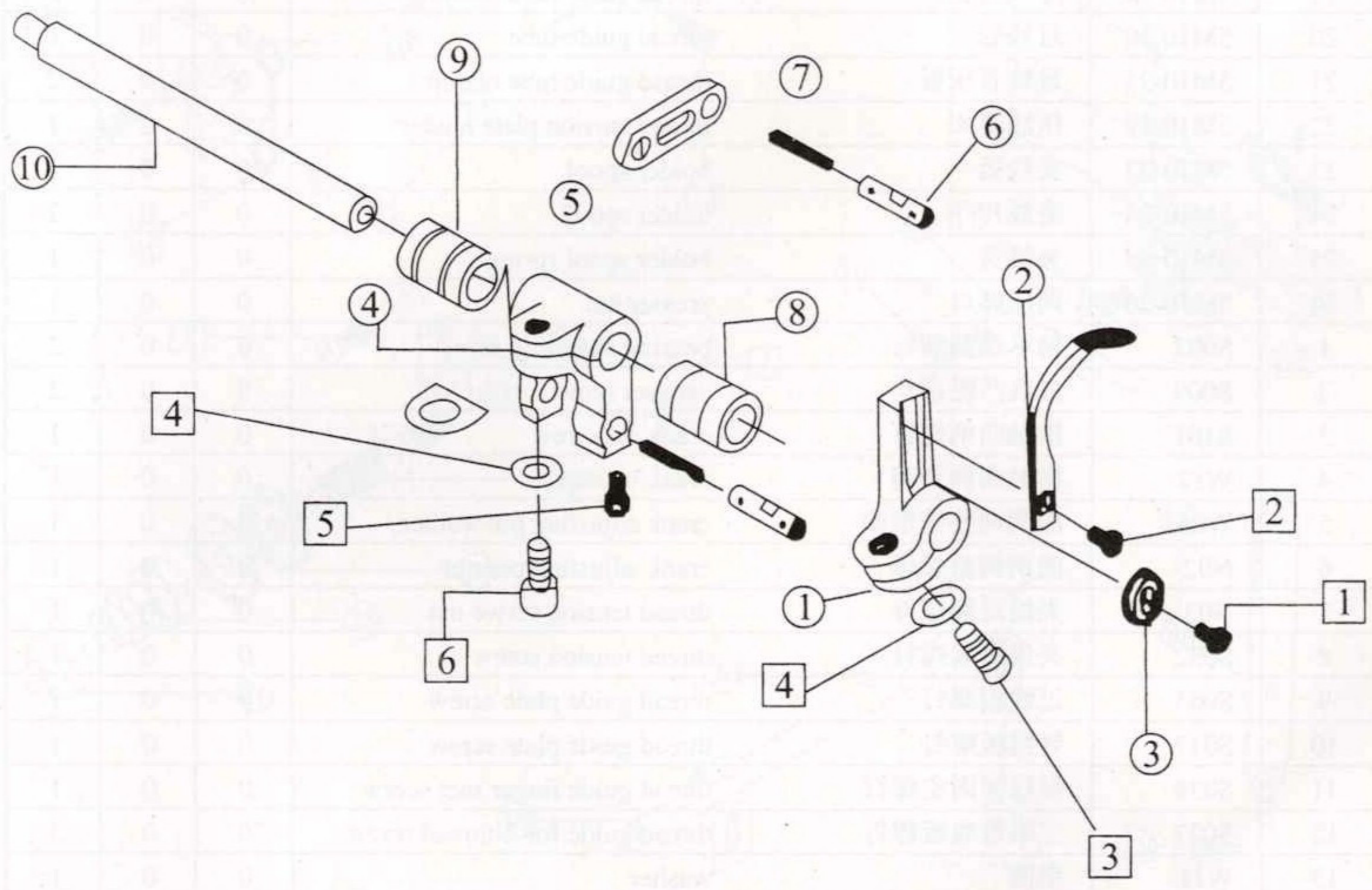
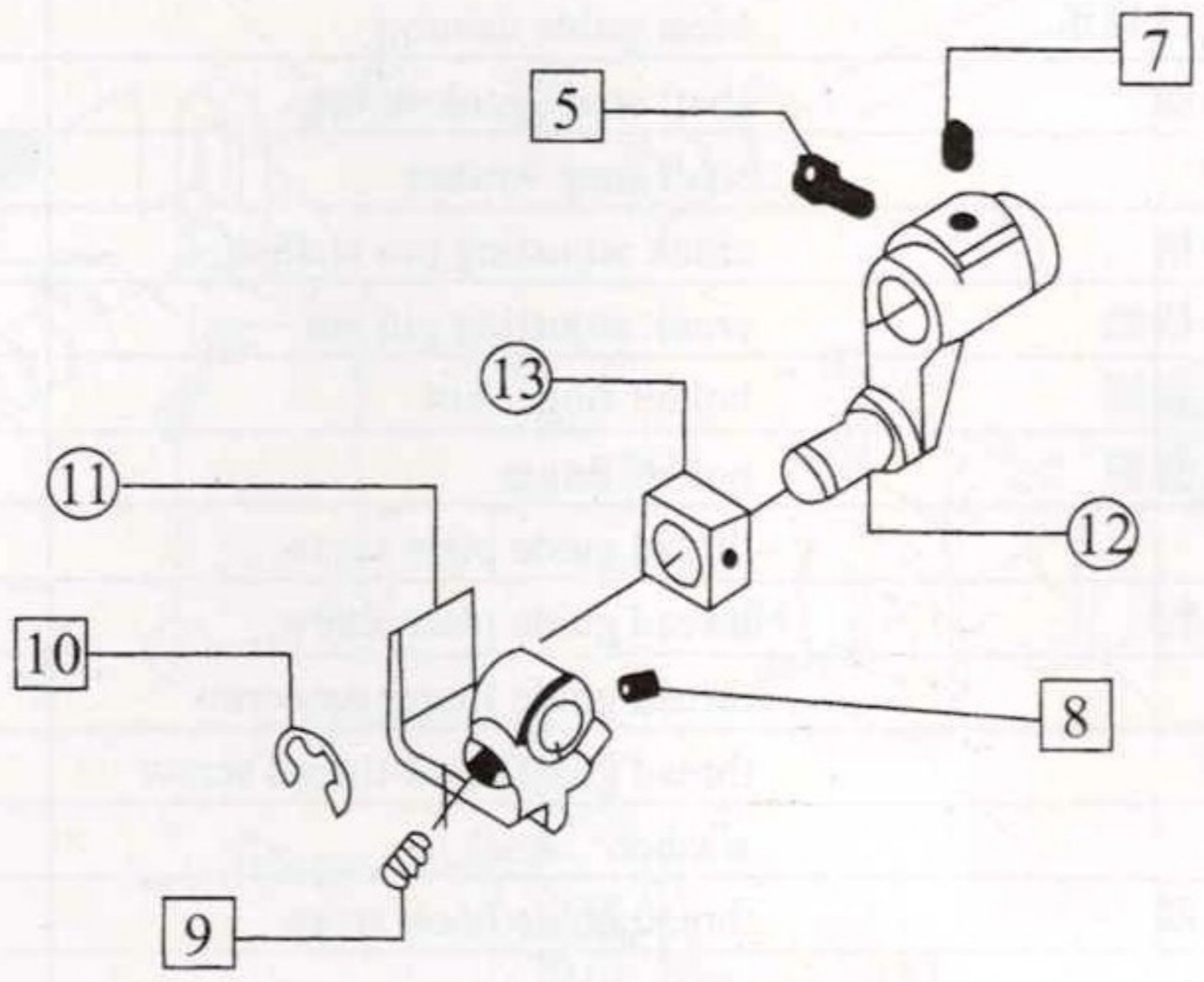
序号 Ref.No	零件编号 Part No.	名称 Name	数量 Amt. Req.		
			3	4	5
1	M8-1	厚垫圈 lower looper shaft copper bushing	1	1	0
	5M8-1	厚垫圈 washer	0	0	1
2	M8-2	下弯针轴垫圈 lower looper shaft washer	1	1	1
3	M8-3	油封 oil seal	1	1	2
4	M8-4	下弯针前套筒 lower looper front bushing	1	1	1
5	M8-5	下弯针后套筒 lower looper rear bushing	1	1	1
6	M8-6	下弯针架 lower looper holder	1	1	1
7	M8-7	下弯针曲柄垫片 lower looper crank washer	2	2	5
8	M8-8	下弯针 lower looper	1	1	0
9	M8-9	铜垫圈 copper washer	1	1	1
10	M8-10	过线 thread guide	1	1	1
11	M8-11	下弯针过线 lower looper thread guide	1	1	1
12	M8-12	下弯针三孔过先线 lower looper 3-thread guide	1	1	1
13	M8-13	下弯针轴 lower looper shaft	1	1	0
	5M8-13	下弯针轴 lower looper shaft	0	0	1
14	M8-14	下弯针摆动曲柄 lower looper crank	1	1	0
	5M8-14	下弯针摆动曲柄 lower looper crank	0	0	1
1	S036	下弯针轴螺钉 lower looper shaft screw	1	1	1
2	W04	弹簧垫圈 elastic washer	1	1	1
3	S101	摆动曲柄螺钉 crank screw	1	1	1
4	S060	下弯针架钉 lower looper holder screw	1	1	1
5	W12	下弯针架垫圈 lower looper holder washer	1	1	1
6	W07	下弯针架垫圈 lower looper holder washer	1	1	1
7	S022	下弯针螺钉 lower looper screw	1	1	1
8	S032	下弯针过先螺钉 lower looper thread guide screw	1	1	1
9	S067	曲柄螺钉 crank screw	0	0	2
10	S015	曲柄螺钉 crank screw	0	0	2





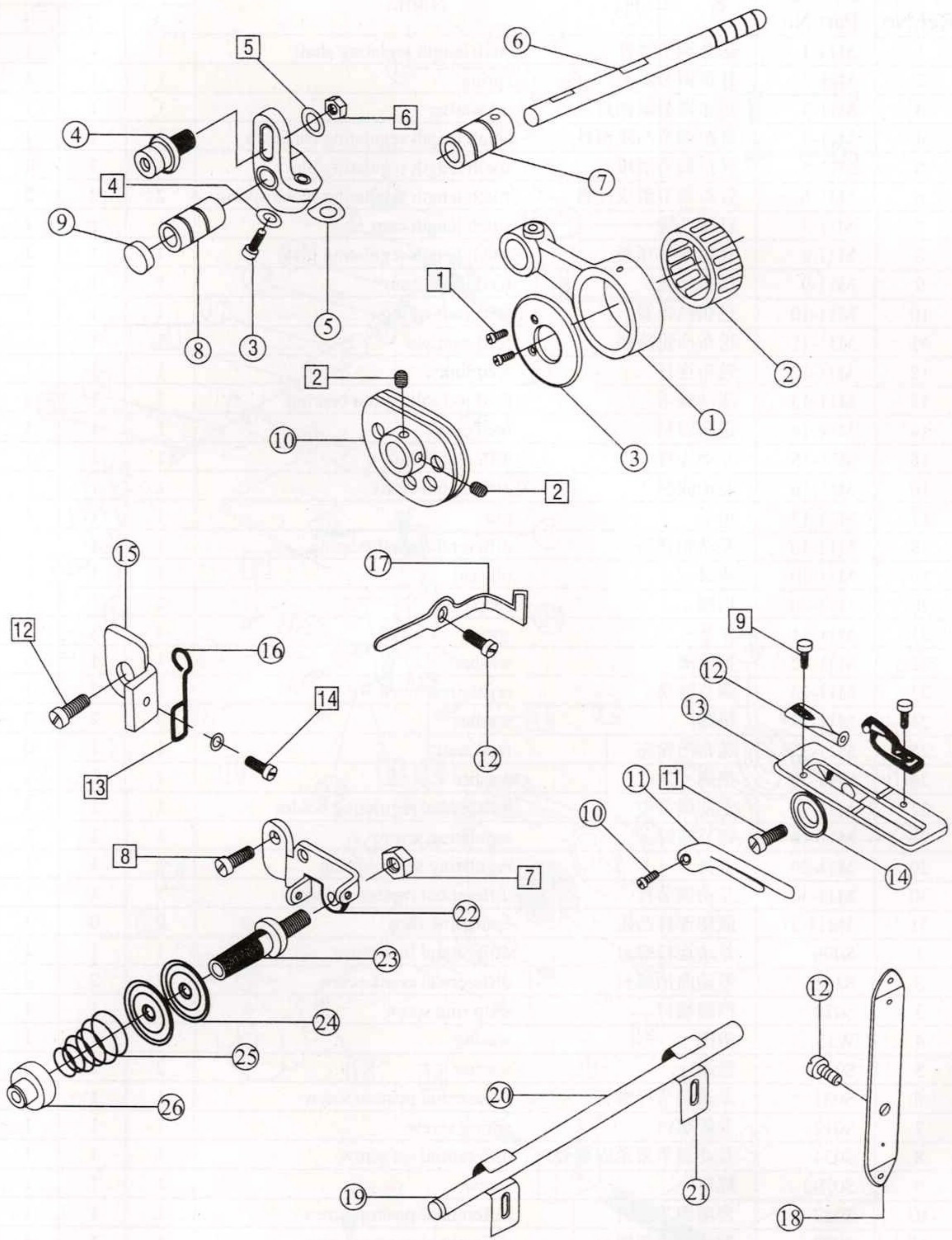
## 九、前弯针部分 / Front lower looper assemblies

序号 Ref.No	零件编号 Part No.	名称 Name	数量 Amt. Req.		
			3	4	5
1	5M9-1	前弯针架 front looper shaft holder	0	0	1
2	5M9-2	前弯针 front looper	0	0	1
3	5M9-3	前弯针调节垫片 front looper shaft regulding washer	0	0	1
4	5M9-4	前弯针曲柄 frong looper crank	0	0	1
5	5M9-5	调节板 regulafting plate	0	0	1
6	5M9-6	调节板销 tegulating palte pin	0	0	2
7	5M9-7	油线 oil thread	0	0	2
8	5M9-8	前弯针轴前套筒 front looper shaft front bushing	0	0	1
9	5M9-9	前弯针轴后套筒 front looper shaft rear bushing	0	0	1
10	5M9-10	前弯针轴 frong looper shaft	0	0	1
11	5M9-11	驱动座 driving lever	0	0	1
12	5M9-12	驱动曲柄 driving crank	0	0	1
13	5M9-13	前弯针滑块 front looper slide block	0	0	1
1	S005	前弯针调节垫螺钉 front looper thread ruide screw	0	0	1
2	S016	前弯针固定螺钉 front looper guide set screw	0	0	1
3	S060	前弯针架螺钉 front looper holder set screw	0	0	1
4	W12	前弯针架螺钉垫 front looper holder screw washer	0	0	2
5	S028	前弯针曲柄螺钉 front looper crank screw	0	0	2
6	S101	前弯针曲柄紧固螺钉 front looper crank holder set screw	0	0	1
7	S043	驱动曲柄顶丝 nexagon socket sefscrew	0	0	1
8	S094	驱动曲柄座顶丝 driving levdr set screw	0	0	1
9	S093	驱动曲柄座螺钉 driving lever set screw	0	0	1
10	E03	卡簧 snapring	0	0	1



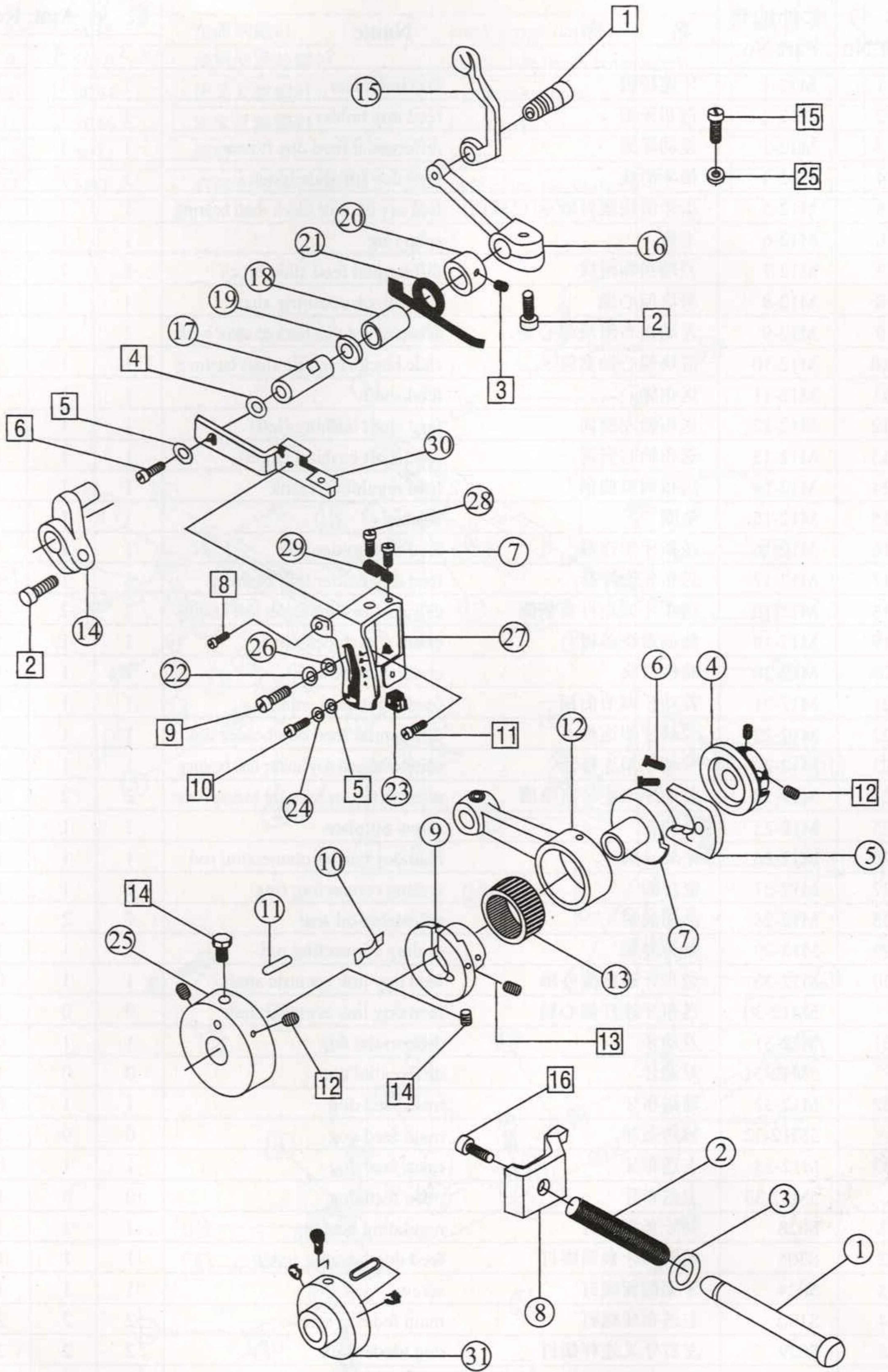
# 十、打线凸轮部分 / Cam assemblies

序号 Ref.No	零件编号 Part No.	名称 Name	数量 Amt. Req.		
			3	4	5
1	5M10-1	横轴连杆 bearing snap uing screw	0	0	1
2	5M10-2	连杆滚针轴承 bfeat guide camtop	0	0	1
3	5M10-3	轴承挡圈 shaft snap crank screw	0	0	1
4	5M10-4	曲柄销 shaft snap washer	0	0	1
5	5M10-5	横轴曲柄 crank adjusting pin wather	0	0	1
6	5M10-6	横轴曲柄轴 crank adjusting pin nut	0	0	1
7	5M10-7	横轴右套筒 holder finger nut	0	0	1
8	5M10-8	横轴左套筒 holder finger	0	0	1
9	5M10-9	油封 thread guide plate screw	0	0	1
10	5M10-10	打线凸轮 thread guide plate screw	0	0	1
11	5M10-11	导线板 thread guide finger set screw	0	0	1
12	5M10-12	过线板 thread guide for 2-thread screw	0	0	2
13	5M10-13	导线架 washer	0	0	1
14	5M10-14	波形垫圈 thread guide hook screw	0	0	1
15	5M10-15	限位板	0	0	1
16	5M10-16	过线环 thread guide hook	0	0	1
17	5M10-17	二眼过线板 2-thread thread guide	0	0	1
18	5M10-18	后导线板 rear thread guide finger set screw	0	0	1
19	5M10-19	导线管套 thread guide tube bushing	0	0	2
20	5M10-20	过线管 thread guide tube	0	0	1
21	5M10-21	过线管压板 thread guide tube olamp	0	0	2
22	5M10-22	压线器架 thread tension plate holder	0	0	1
23	5M10-23	夹线挺 holder spool	0	0	1
24	5M10-24	夹线片 holder spool	0	0	2
25	5M10-25	夹线簧 holder spool spring	0	0	1
26	5M10-26	调压螺母 presser nut	0	0	1
1	S002	轴承挡圈螺钉 bearing snap ring screw	0	0	2
2	S009	打线凸轮顶丝 cam set screw	0	0	2
3	S101	横轴曲柄螺钉 crank set screw	0	0	1
4	W12	横轴曲柄垫圈 crank washer	0	0	1
5	W06	曲柄调整销垫圈 crank adjusting pin wather	0	0	1
6	N02	曲柄调整螺母 crank adjusting pin nut	0	0	1
7	N03	夹线器架螺母 thread tension scrwe nut	0	0	1
8	S032	夹线器架螺钉 thread tension screw	0	0	1
9	S003	过线板螺钉 thread guide plate screw	0	0	2
10	S017	导线板螺钉 thread guide plate screw	0	0	1
11	S038	导线架固定螺钉 thread guide finger seet screw	0	0	1
12	S027	二眼过线板螺钉 thread guide for 2-thread screw	0	0	3
13	W11	垫圈 washer	0	0	1
14	S020	进线环螺钉 thread guide hook screw	0	0	1



# 十一、差动送布部分 / Differential feed assemblies

序号 Ref.No	零件编号 Part No.	名称	Name	数量 Amt. Req.		
				3	4	5
1	M11-1	送布调节器杆	stich length reglating shaft	1	1	1
2	M11-2	针距调节器簧	spring	1	1	1
3	M11-3	送布调节器油封	oil washer	1	1	1
4	M11-4	针距调节凸轮组件	stich length regulating cam asm	1	1	1
5	M11-5	针距调节滑块	stich length regulating block	1	1	1
6	M11-6	针距调节滑块压簧	stich length regulating block spring	2	2	2
7	M11-7	针距凸轮	stich length cam	1	1	1
8	M11-8	针距调节压板	stich length regulating plate	1	1	1
9	M11-9	送布凸轮	feed lngth cam	1	1	1
10	M11-10	送布凸轮簧	feed cam spring	1	1	1
11	M11-11	送布凸轮座销	feed cam pin	1	1	1
12	M11-12	送布连杆	feed link	1	1	1
13	M11-13	滚动轴承	feed rod rolling pin bearing	1	1	1
14	M11-14	送布曲柄	feed crank	1	1	1
15	M11-15	差动连杆	differential link	1	1	1
16	M11-16	差动曲柄	differential crank	1	1	1
17	M11-17	销子	pin	1	1	1
18	M11-18	差动轴套筒	differential shaft bearing	1	1	1
19	M11-19	油封	oil seal	1	1	1
20	M11-20	挡圈	snap ring	1	1	1
21	M11-21	弹簧	spring	1	1	1
22	M11-22	扩建圈	washer	1	1	1
23	M11-23	调节滑块	regalating block	1	1	1
24	M11-24	垫圈	washer	2	2	2
25	M11-25	送布凸轮座	feed cam	1	1	0
26	M11-26	垫圈	washer	1	1	1
27	M11-27	差动调节架	differential regulating holder	1	1	1
28	M11-28	调节螺钉	regulating screw	1	1	1
29	M11-29	卡簧	regulating screw spring	1	1	1
30	M11-30	差动调节杆	differential rigulating link	1	1	1
31	5M11-31	曲柄连杆凸轮	crank link cam	0	0	1
1	S096	差动连杆螺钉	differential link screw	1	1	1
2	S101	差动曲柄螺钉	differential crank screw	2	2	2
3	S028	挡圈螺钉	snap ring screw	1	1	1
4	W15	垫圈	washer	1	1	1
5	S01	垫圈	washer	2	2	2
6	S037	差动调节杆螺钉	differential positon screw	1	1	1
7	S012	卡簧螺钉	spring screw	1	1	1
8	S034	差动调节架紧固螺钉	differential set screw	1	1	1
9	S079	螺钉	screw	1	1	1
10	S027	差动调节螺钉	differential positop screw	1	1	1
11	S032	差动调节架螺钉	differential positop screw	1	1	1
12	S043	针距调节齿轮螺钉	stich length	4	4	4
13	S008	送布凸轮调节螺钉	feed cam regulating screw	1	1	1
14	S011	送布凸轮螺钉	feed cam screw	1	1	1
15	S040	螺钉	screw	1	1	1
16	S036	针距调节压板螺钉	stich length screw	1	1	1

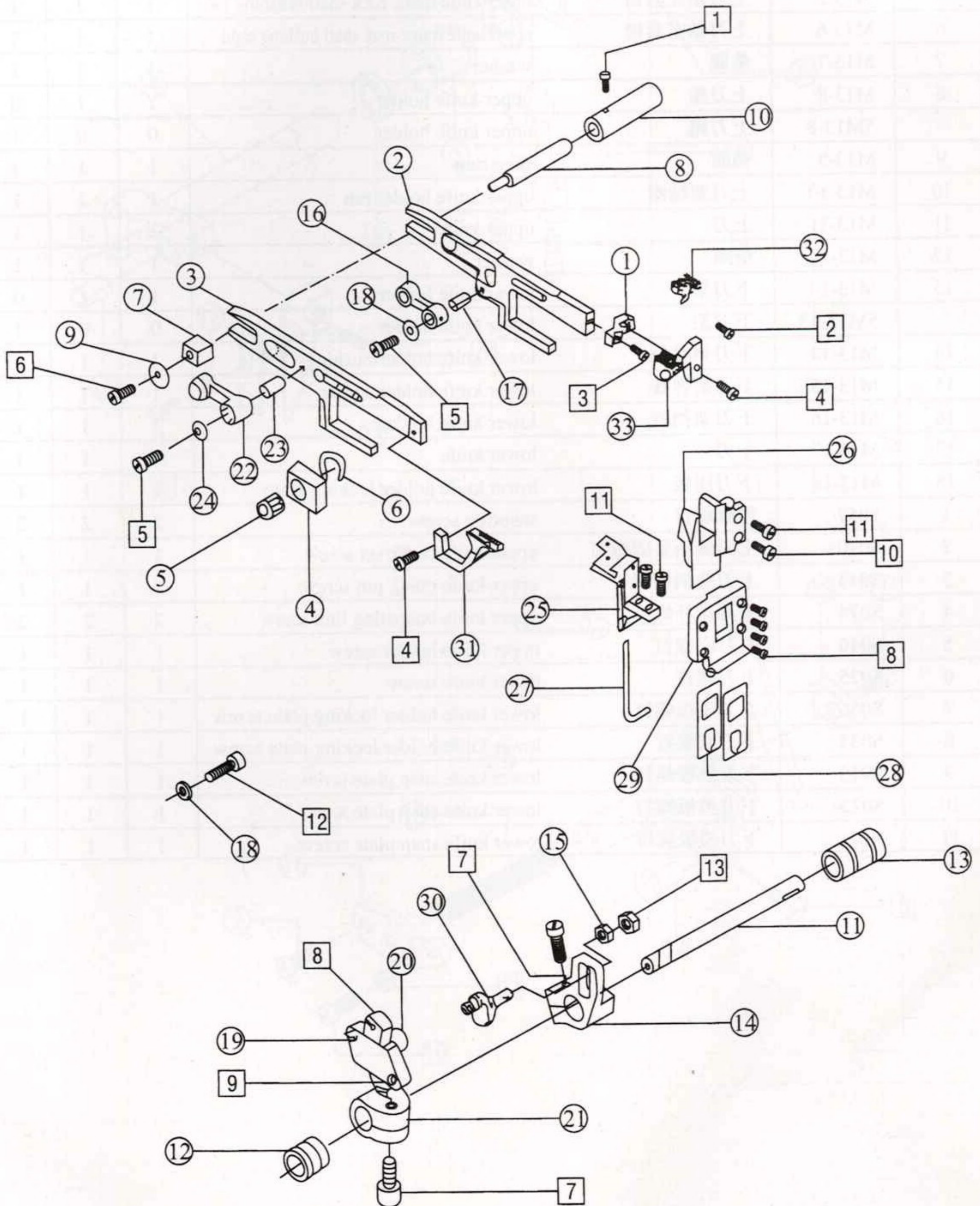


## 十二、抬牙送布部分 / Feed doy assemblies

序号 Ref.No	零件编号 Part No.	名称	Name	数量 Amt. Req.		
				3	4	5
1	M12-1	牙连接板	doy link plate	1	1	1
2	M12-2	送布牙架	feed doy holder	1	1	1
3	M12-3	差动牙架	differential feed doy holear	1	1	1
4	M12-4	抬牙滑块	feed doy lift slide block	1	1	1
5	M12-5	抬牙滑块滚针轴承(已取消)	feed doy lift slide block shaft bearing	1	1	1
6	M12-6	卡簧	snap ring	1	1	1
7	M12-7	差动送布滑块	differential feed slide block	1	1	1
8	M12-8	滑块偏心轴	slide block eccentric share	1	1	1
9	M12-9	差动送布滑块偏心垫	diferential feed slide block eccentric washer	1	1	1
10	M12-10	滑块偏心轴套筒	slide block eccentric shaft bushing	1	1	1
11	M12-11	送布轴	feed shaft	1	1	1
12	M12-12	送布轴左套筒	feed shaft bashing (left)	1	1	1
13	M12-13	送布轴右套筒	feed shaft bashing (right)	1	1	1
14	M12-14	送布调整曲柄	feed regulating crank	1	1	1
15	M12-15	垫圈	washer	1	1	1
16	M12-16	送布牙架连杆	feed doy holder link	1	1	1
17	M12-17	送布牙连杆套	feed doy holder link bashing	1	1	1
18	M12-18	送布牙架连杆套垫圈	differetial feed doy holder link bashing	2	2	2
19	M12-19	曲柄滑块盖板	crank slide block cover	1	1	1
20	M12-20	曲柄滑块	crank slide block	1	1	1
21	M12-21	差动牙调节曲柄	feed regulating crank	1	1	1
22	M12-22	差动牙架连杆	differential feed doy holder link	1	1	1
23	M12-23	差动牙架连杆套	differential feed doy holder link bushing	1	1	1
24	M12-24	差动牙架连杆套垫圈	pifferential feed doy holder link bushing washer	2	2	2
25	M12-25	挡油板	screw oil plate	1	1	1
26	M12-26	牙架导轨	feed doy carrier connection rod	1	1	1
27	M12-27	密封圈	sealing connecting ring	1	1	1
28	M12-28	活动油封	adjustable oil seal	2	2	2
29	M12-29	密封导架	sealing connecting rod	1	1	1
30	M12-30	送布牙连杆偏心轴	feed doy link ecentric shaft	1	1	0
	5M12-30	送布牙连杆偏心轴	feed doy link ecentric shaft	0	0	1
31	M12-31	差动牙	differential dog	1	1	0
	5M12-31	差动牙	differential dog	0	0	1
32	M12-32	辅送布牙	main feed dog	1	1	0
	5M12-32	辅送布牙	main feed dog	0	0	1
33	M12-33	主送布牙	main feed dog	1	1	0
	5M12-33	主送布牙	main feed dog	0	0	1
1	S028	调牙套筒螺钉	regulating bushing	1	1	1
2	S005	辅助调牙套筒螺钉	feed dog bushing screw	1	1	1
3	S024	牙架接板螺钉	screw	1	1	1
4	S100	主送布牙螺钉	main fed dog screw	2	2	2
5	S029	左右牙叉连杆螺钉	dog hloader link	2	2	2
6	S006	抬牙布曲柄螺钉	feed dog lift slide block screw	1	1	1
7	S101	右送布曲柄螺钉	feed shaft crank screw (right)	2	2	2

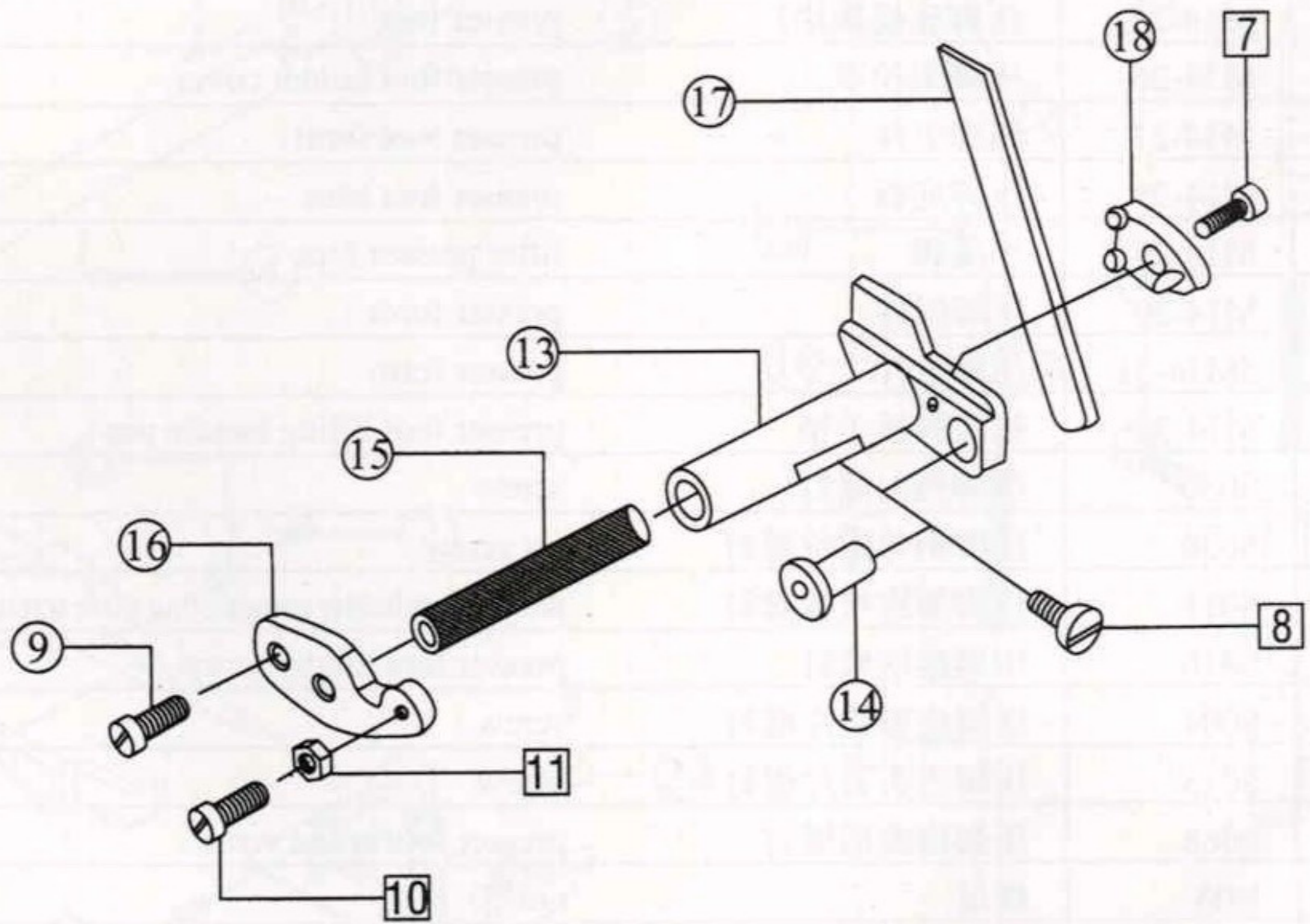
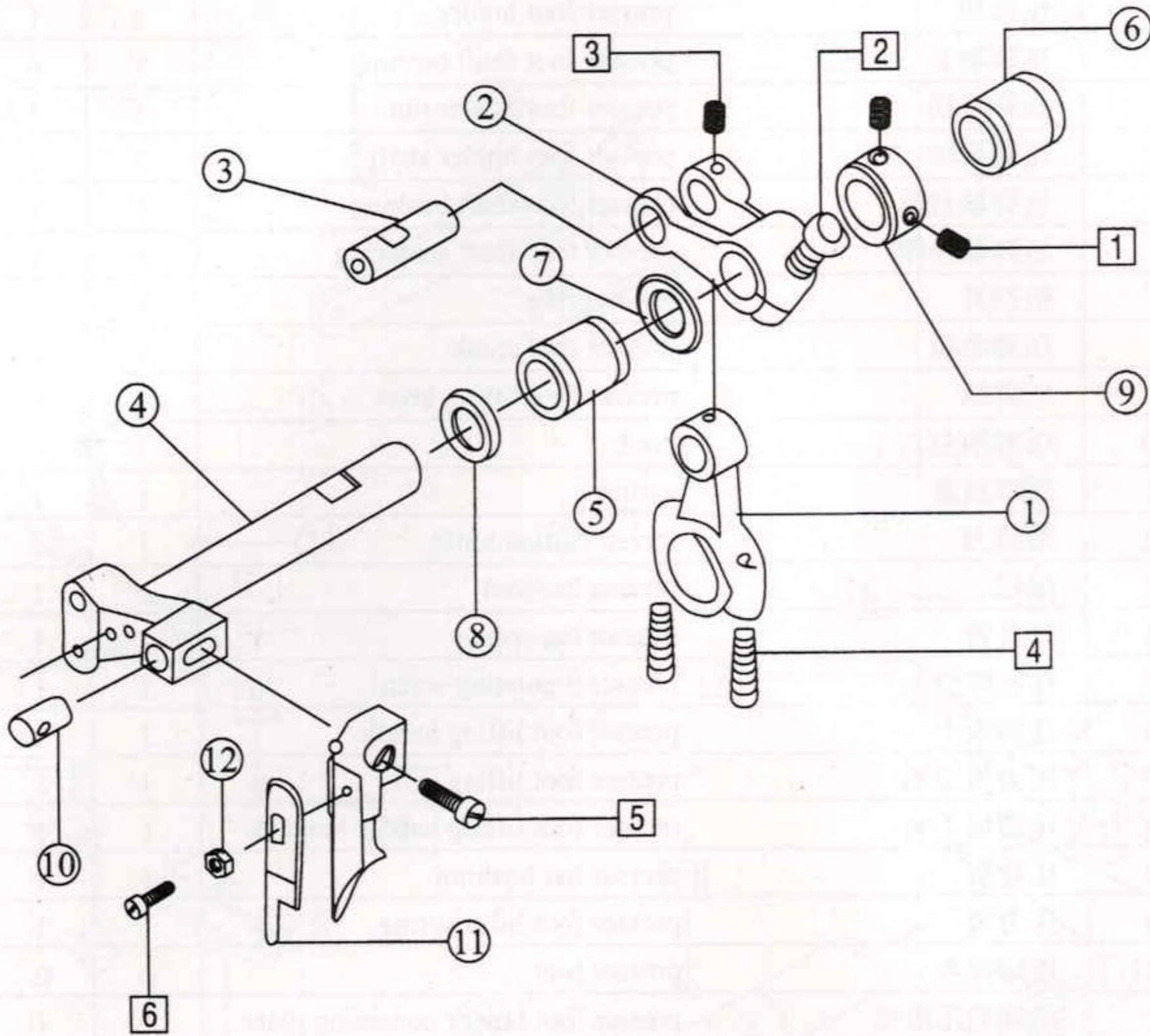


序号 Ref.No	零件编号 Part No.	名称 Name	数量 Amt. Req.		
			3	4	5
8	S012	左曲柄螺钉 crank screw (left)	5	5	5
9	S069	曲柄滑动盖螺钉 crank slide block cover screw	2	2	2
10	S034	牙叉叉块螺钉II tooth rorks screw	1	1	1
11	S046	牙叉叉块螺钉I tooth rorks screw	4	4	4
12	S031	螺钉 screw	1	1	1
13	N02	右送布曲柄销螺母 reed crank pin shaft nat	1	1	1



### 十三、剪切部分 / Trimming assemblies

序号 Ref.No	零件编号 Part No.	名称 Name	数量 Amt. Req.		
			3	4	5
1	M13-1	上刀连杆 upper knife driving connecting link	1	1	1
2	M13-2	上刀曲柄 upper knife crank	1	1	0
	5M13-2	上刀曲柄 upper knife crank	0	0	1
3	M13-3	曲柄销 crank pin	1	1	1
4	M13-4	上刀架轴 upper knife frame rock shaft	1	1	1
5	M13-5	上刀轴左套筒 upper knife frame rock shaft brushing left	1	1	1
6	M13-6	上刀轴右套筒 upper knife frame rock shaft bushing right	1	1	1
7	M13-7	垫圈 washer	1	1	1
8	M13-8	上刀座 upper knife holder	1	1	0
	5M13-8	上刀座 upper knife holder	0	0	1
9	M13-9	挡圈 snap ring	1	1	1
10	M13-10	上刀架轴圈 upper knife holder pin	1	1	1
11	M13-11	上刀 upper knife	1	1	1
12	M13-12	垫圈 washer	1	1	1
13	M13-13	下刀架 lower knife holder	1	1	0
	5M13-13	下刀架 lower knife holder	0	0	1
14	M13-14	下刀架套筒 lower knife holder bushing	1	1	1
15	M13-15	下刀架弹簧 lower knife holder spring	1	1	1
16	M13-16	下刀架挡板 lower knife holder	1	1	1
17	M13-17	下刀 lower knife	1	1	1
18	M13-18	下刀压板 lower knife holder locking plate	1	1	1
1	S057	挡圈螺钉 snapping screw	2	2	2
2	S010	上刀曲柄紧固螺钉 upper knife crank set screw	1	1	1
3	S043	上刀曲柄销螺钉 upper knife crank pin screw	1	1	1
4	S074	上刀连杆螺钉 upper knife connecting link screw	2	2	2
5	S046	上刀座螺钉 upper knife holder screw	1	1	1
6	S025	上刀螺钉 upper knife screw	1	1	1
7	S036	下刀压板螺钉 lower knife holder locking plate screw	1	1	1
8	S033	下刀架螺钉 lower knife holder locking plate screw	1	1	1
9	S045	下刀挡板螺钉 lower knife snap plate screw	1	1	1
10	S022	下刀挡板螺钉 lower knife snap plate screw	1	1	1
11	N01	下刀挡板螺母 lower knife snap plate screw	1	1	1



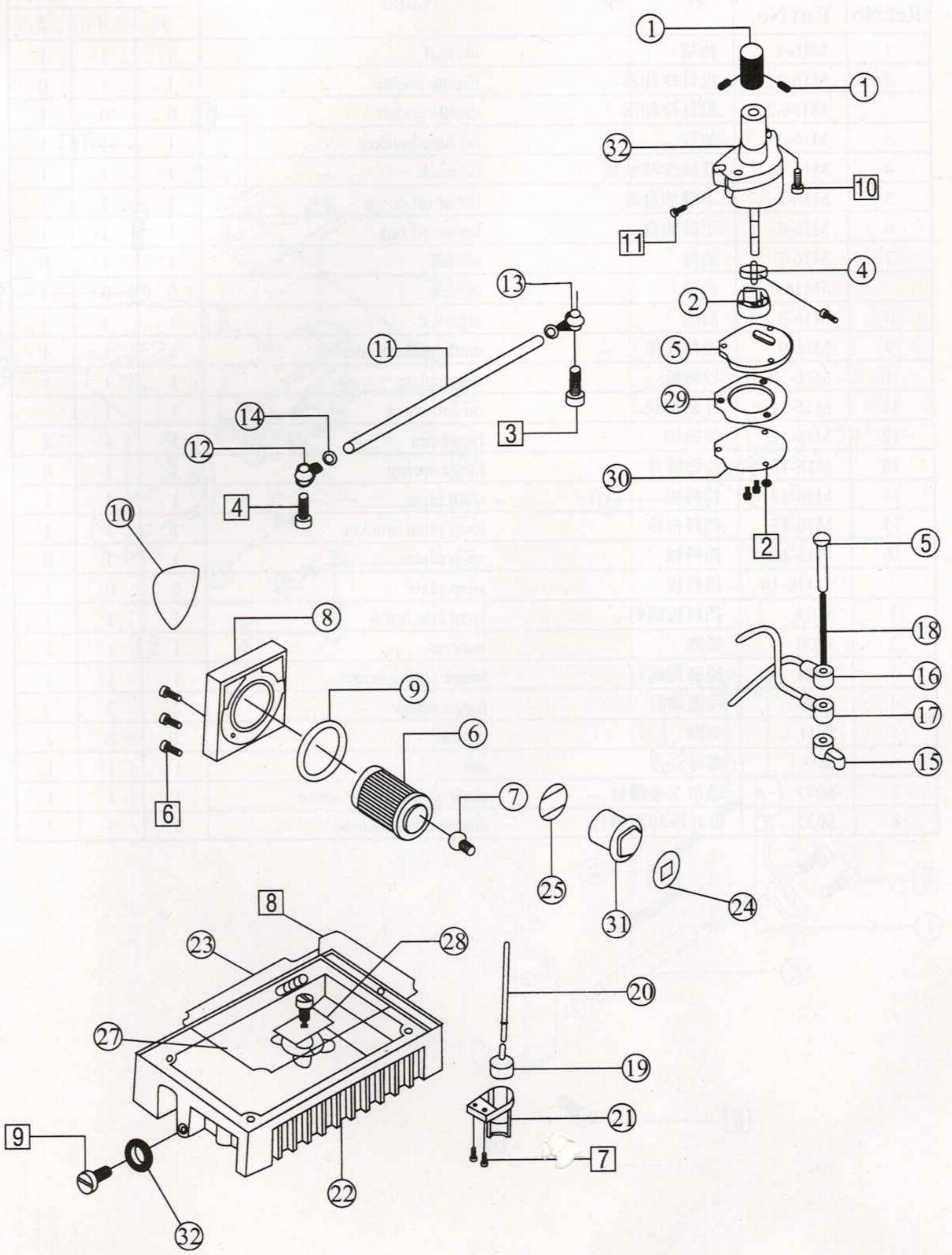
## 十四、压布部分 / Presser foot assemblies

序号 Ref.No	零件编号 Part No.	名称	Name	数量 Amt. Req.		
				3	4	5
1	M14-1	压脚架	presser foot holder	1	1	1
2	M14-2	压脚轴套	presser foot shaft bushing	1	0	1
3	M14-3	压脚架销	presser foot holder pin	1	1	0
4	M14-4	压脚架轴	presser foot holder shaft	1	1	1
5	M14-5	压脚轴套筒	presser foot shaft bushing	1	1	1
6	M14-6	压脚轴挡圈	presser foot shaft snap ring	1	1	1
7	M14-7	抬挡簧	lever spring	1	1	1
8	M14-8	压脚曲柄	presser foot crank	1	1	1
9	M14-9	压脚柄	presser foot lifting lever	1	1	1
10	M14-10	压脚柄勾	hook	1	1	1
11	M14-11	压脚柄簧	spring	1	1	1
12	M14-12	割线刀	thread cutting knife	1	1	1
13	M14-13	压杆	presser barhead	1	1	1
14	M14-14	压杆簧	presser bar spring	1	1	1
15	M14-15	压杆螺钉	presser regulating screnl	1	1	1
16	M14-16	压脚扳手	presser foot lifting handle	1	1	1
17	M14-17	压力簧导销	presser foot lifting anh	1	1	1
18	M14-18	压脚扳手座	presser foot lifting handle bracket	1	1	1
19	M14-19	压杆套	presser bar bushing	1	1	1
20	M14-20	压力簧	presser foot liftin spring	1	1	1
21	5M14-21	压脚弹簧	presser foot	0	0	1
22	M14-22	压脚架连接板	presser foot holder conneting plate	1	1	1
23	M14-23	压脚接柄	presser foot holder	1	1	1
24	M14-24	压脚小舌头簧片	presser foot base	1	1	1
25	M14-25	压脚底板簧片	presser foot	1	1	1
26	M14-26	压脚架护罩	presser foot holder cover	1	1	1
27	M14-27	压脚组件	presser foot form	0	1	0
28	M14-28	压脚底板	presser foot base	0	1	0
29	M14-29	小压脚	lifter presser foot	0	1	0
30	M14-30	压脚组件	presser form	1	0	0
31	5M14-31	压脚组件	presser form	0	0	1
32	M14-32	抬压脚扳手销	presser foot lifting handle pin	1	1	1
1	S059	压脚柄勾螺钉	screw	1	1	1
2	S030	压脚柄勾定位螺钉	set screw	1	1	1
3	S011	压脚架连接板螺钉	presser foot holder connecting plate screw	2	2	2
4	S016	压脚接柄螺钉	presser foot holder screw	1	1	1
5	S004	压脚底板簧片螺钉	screw	1	1	1
6	S013	压脚舌头簧片螺钉	screw	1	1	1
7	S068	压脚脚曲柄螺钉	presser foot crand screw	1	1	1
8	N03	螺母	nut	1	1	1
9	S010	压脚曲柄定位螺钉	presser foot crand screw	1	1	1
10	S009	压脚轴挡套圈螺钉	presser foot shaft snap washer screw	3	3	3
11	S043	螺钉	screw	1	1	1
12	S071	割线刀螺钉	thread cutting knife screw	2	2	2
13	S007	压脚扳手螺钉	presser footlifting handle screw	1	1	1



# 十五、润滑部分 / Lubrication assemblies

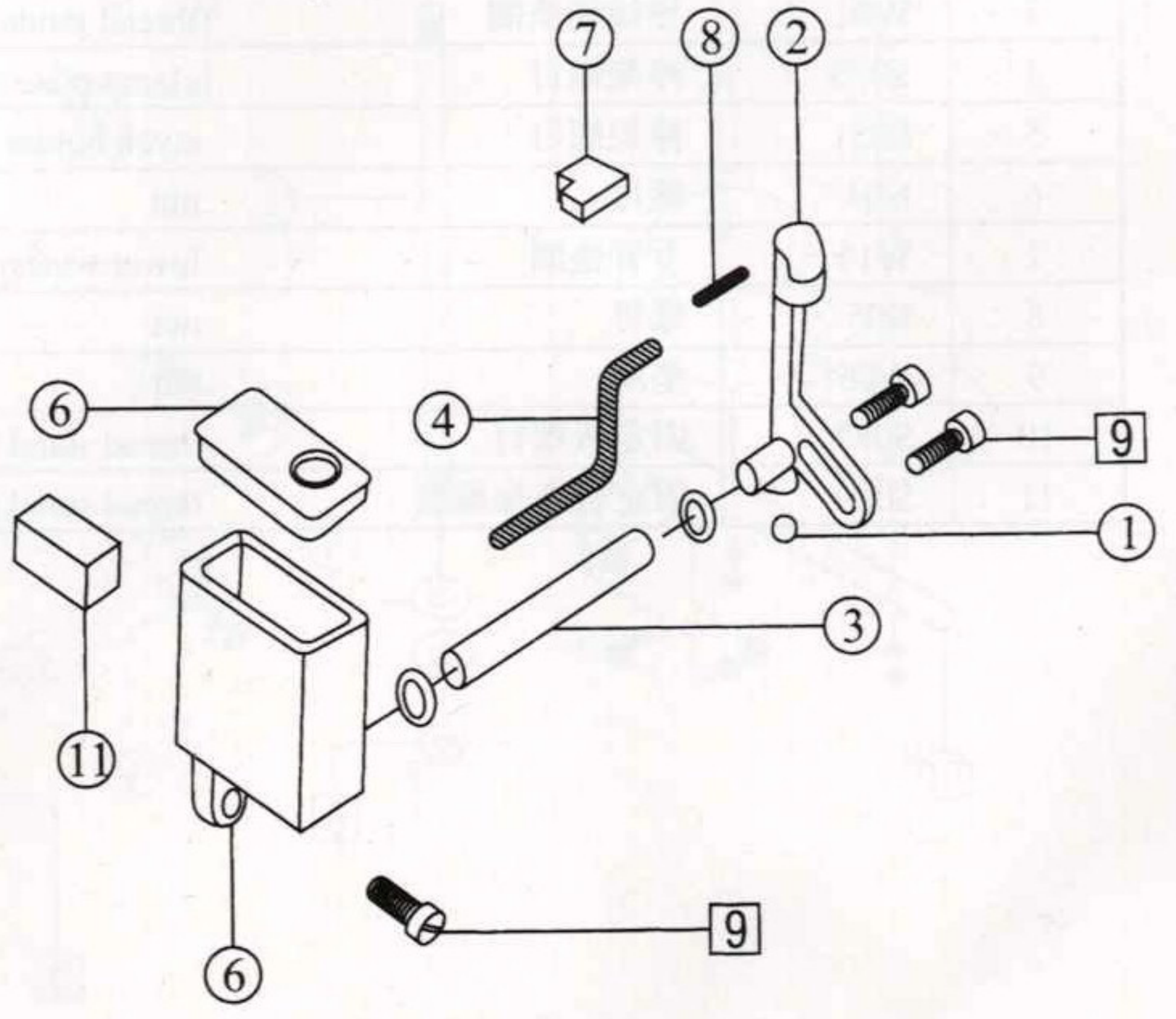
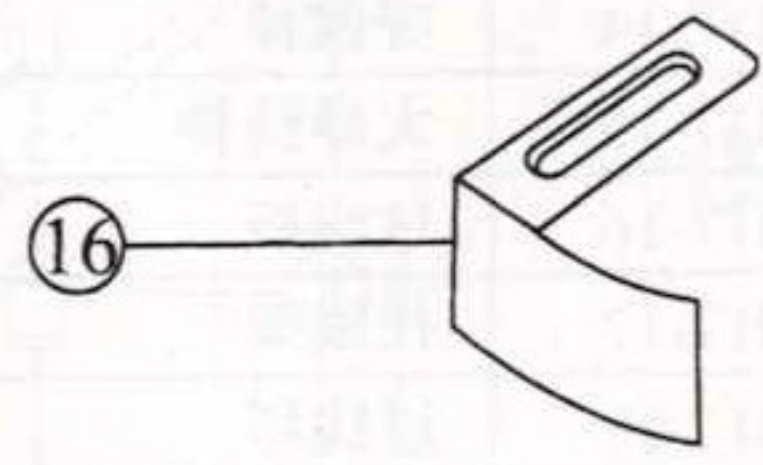
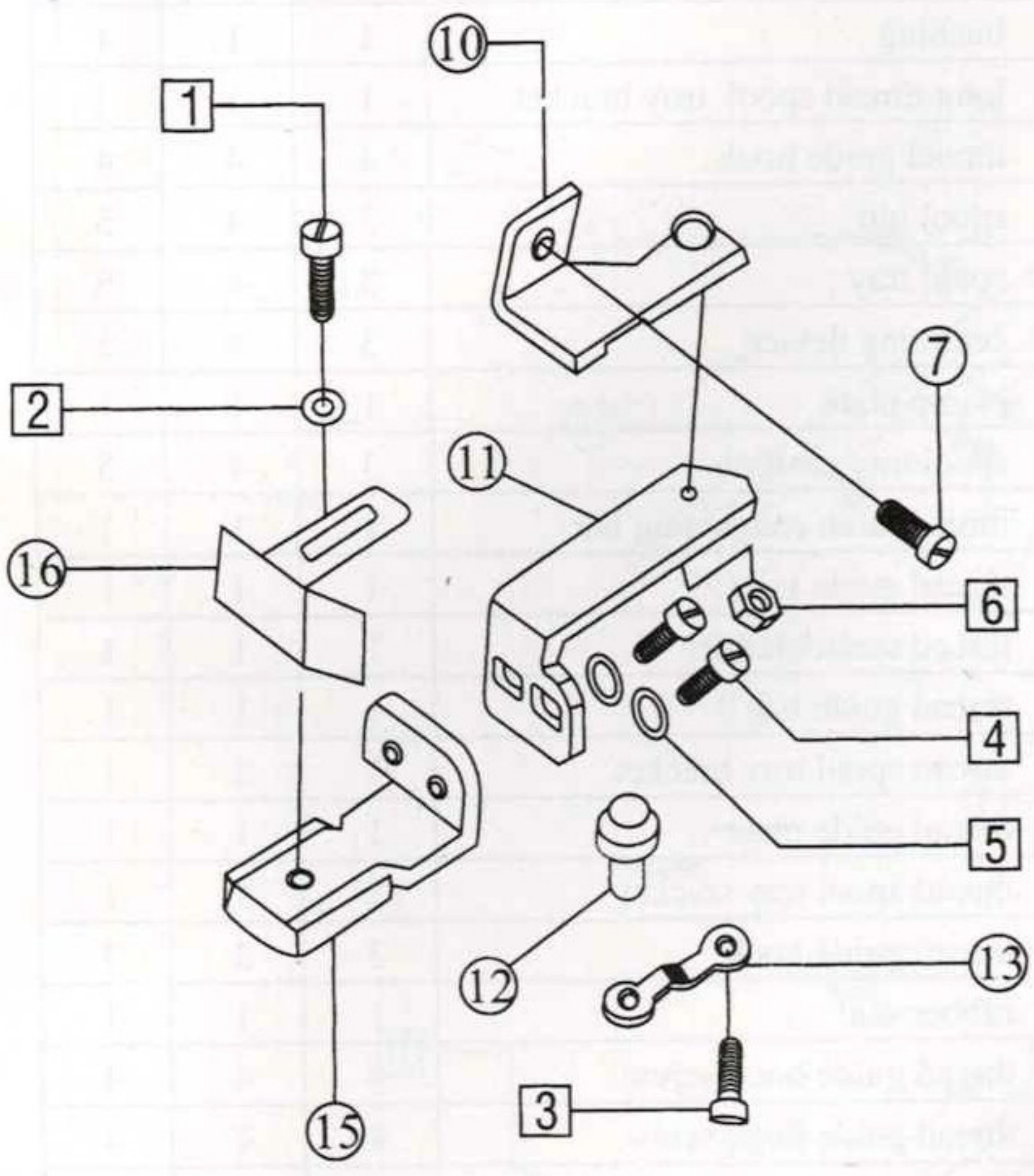
序号 Ref.No	零件编号 Part No.	名称	Name	数量 Amt. Req.		
				3	4	5
1	M15-1	油泵蜗轮	oil pump worm gear	1	1	1
2	M15-2	滑块五星齿轮套	oil pump rotator bushing	1	1	1
3	M15-3	油泵齿轮长轴	oil pump rptatpr shaft	1	1	1
4	M15-4	油泵五星齿轮	oil pump rotator	1	1	1
5	M15-5	油泵罩板	oil pump cover plate	1	1	1
6	M15-6	滤油器	oil cleaner	1	1	1
7	M15-7	滤油器接头	oil cljerner joint	1	1	1
8	M15-8	滤油器盖	oil clerner cover	1	1	1
9	M15-9	滤油器盖密封圈	oil clerner cover seal ring	1	1	1
10	M15-10	润滑提示	ingicaing plate	1	1	1
11	M15-11	油管	oil tube	1	1	1
12	M15-12	油管接头I	oil tube joint	1	1	1
13	M15-13	油管接头II	oil tube joint	1	1	1
14	M15-14	油管卡簧	oil tube shap ring	4	4	4
15	M15-15	润滑套	lubrcate bushing	1	1	1
16	M15-16	上配油器	upper screen	1	1	1
17	M15-17	下配油器	lower screen	1	1	1
18	M15-18	调节销	regulating pin	1	1	1
19	M15-19	油量显示座	oil show bracket	1	1	1
20	M15-20	油量显示器杆	oil show cleaner link	1	1	1
21	M15-21	油量显示支架	oil show cleaner guard	1	1	1
22	M15-22	油盘	oil pan	1	1	1
23	M15-23	油盘垫圈	oil pan washer	1	1	1
24	M15-24	油标不干胶	boug on with	1	1	1
25	M15-25	油标刻度	oil dial	1	1	1
26	M15-26	堵油垫圈	oil seal	1	1	1
27	M15-27	油盘磁铁	oil pan magnet	1	1	1
28	M15-28	油盘磁铁盖	oil pan magnet cover	1	1	1
29	M15-29	滤油网固定架	oil screen holder	1	1	1
30	M15-30	滤油网	oil screen felt	1	1	1
31	M15-31	油标	oil bouy	1	1	1
32	M15-32	油泵体组件	oil pump asm	1	1	1
33	M15-33	回油网		1	1	1
34	M15-34	油封		1	1	1
1	S057	油泵蜗轮螺钉	oil pamp worm gear screw	2	2	2
2	S024	滤油网螺钉	oil cleaner screw	3	3	3
3	S086	油管接头II螺钉	oil tube joint screw	1	1	1
4	S063	油管接头I螺钉	oil tube joint screw	1	1	1
5	S052	配油器螺钉	oil screen screw	1	1	1
6	S039	滤油器盖螺钉	oil screen cover screw	3	3	3
7	S042	油量显示器支架螺钉	oil boy finger screw	2	2	2
8	S037	油盘磁铁盖螺钉	oil pan magnet cover screw	1	1	1
9	S066	油盘放油螺钉	oil pan oil screw	1	1	1
10	S048	油泵螺钉	oil pump screw	1	1	1
11	S065	油泵体螺钉	oil pumps asm svrew	1	1	1



## 十六、送布挡料部分 / Feed snap assemblies

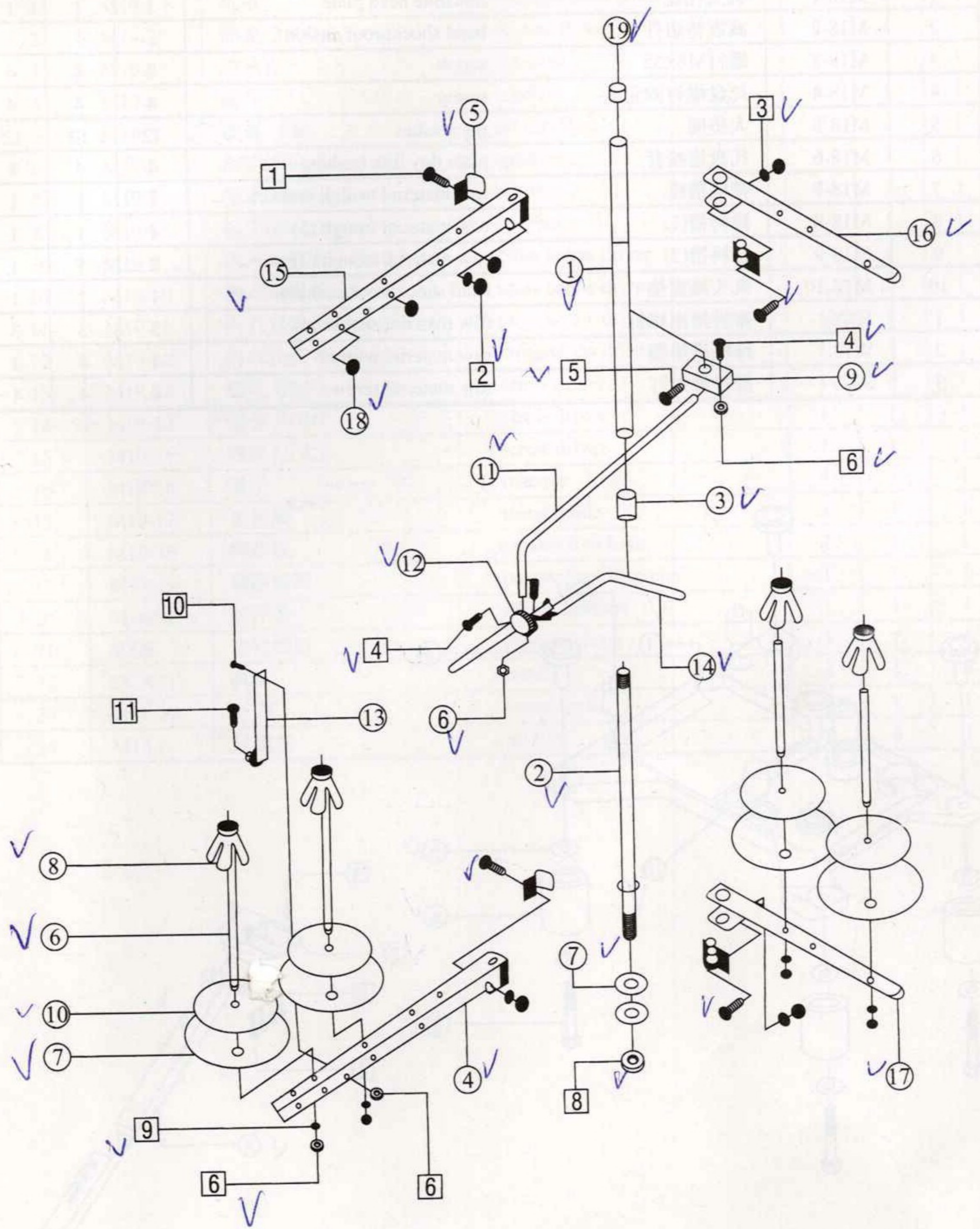
序号 Ref.No	零件编号 Part No.	名称 Name	数量 Amt. Req.		
			3	4	5
1	M16-1	油堵 oil seal	1	1	1
2	M16-2	机针冷却器 needle cooler	1	1	0
	5M16-2	机针冷却器 needle cooler	0	0	1
3	M16-3	油管 oil tube bracker	1	1	1
4	M16-4	硅油冷却油线 oil wick	1	1	1
5	M16-5	下硅油盒盖 lower oil cover	1	1	1
6	M16-6	下硅油盒 lower oil box	1	1	1
7	M16-7	油棉 oil felt	1	1	0
	5M16-7	油棉 oil felt	0	0	1
8	M16-8	油线 oil wick	1	1	1
9	M16-9	送料支架 cloth guide holder	1	1	1
10	M16-10	铰链板 oinge plate	1	1	1
11	M16-11	硅油棉块 oil felt block	1	1	
12	M16-12	铰链销 hinge pin	1	1	1
13	M16-13	铰链簧片 hinge spring	1	1	0
14	M16-14	挡料板 snap plate	1	1	1
15	M16-15	挡料板座 snap plate bracket	1	1	1
16	M16-16	挡料板 snap plate	1	1	0
	5M16-16	挡料板 snap plate	0	0	1
1	S018	挡料板螺钉 snap late screw	1	1	1
2	W09	垫圈 washer	1	1	1
3	S021	铰链簧螺钉 hinge spring screw	1	1	1
4	S026	铰链螺钉 hinge screw	2	2	2
5	W11	垫圈 washer	2	2	2
6	N03	螺母 nat	1	1	1
7	S047	送布支架螺钉 cloth guide holder screw	1	1	1
8	S037	机针冷却器螺钉 needle cooler screw	3	3	3





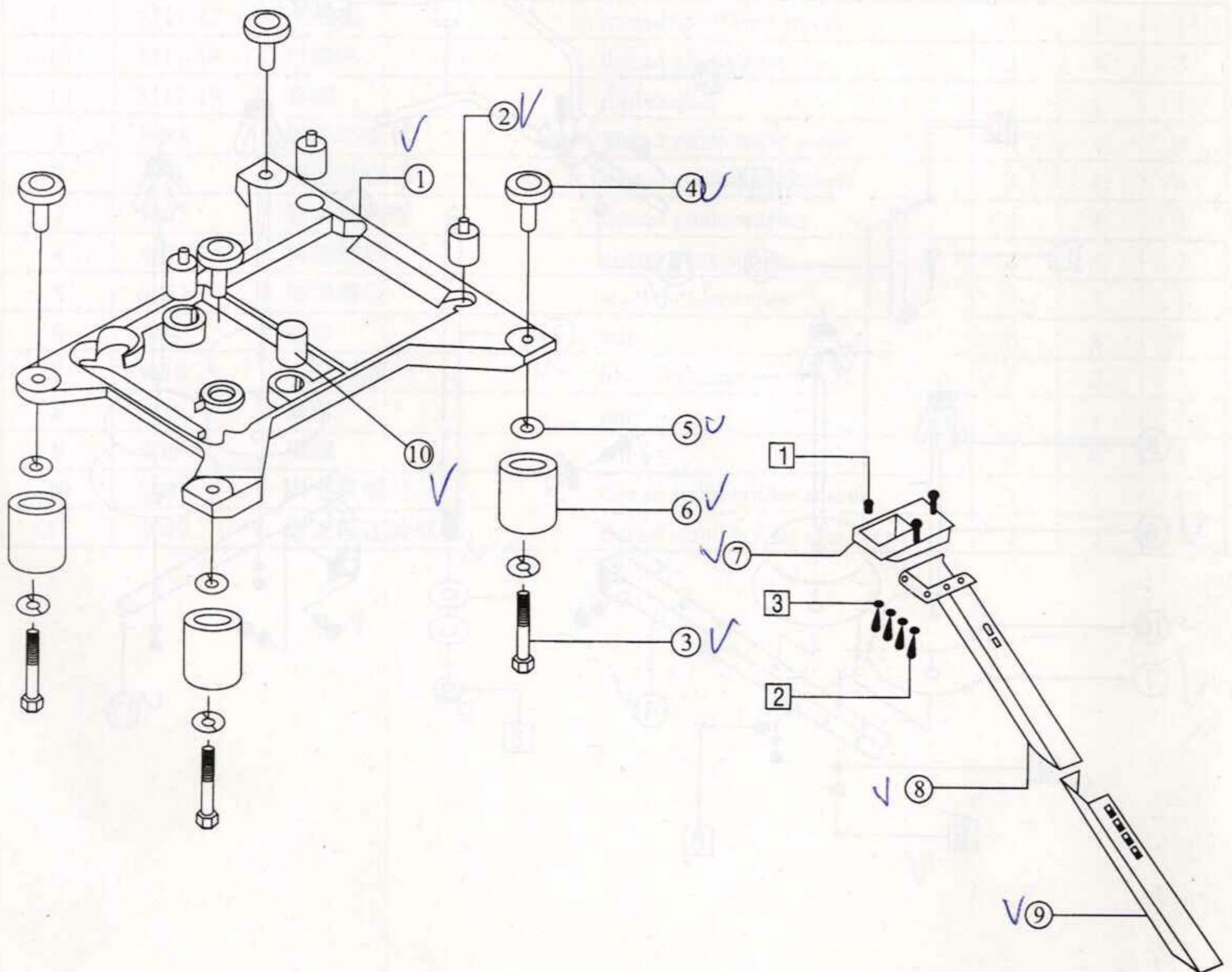
## 十七、线架部分 / Thread spool assemblies

序号 Ref.No	零件编号 Part No.	名称	Name	数量 Amt. Req.		
				3	4	5
1	M17-1	上管	upper thread column	1	1	1
2	M17-2	下管	lower thread column	1	1	1
3	M17-3	套	bushing	1	1	1
4	M17-4	长托线架	long thread spool tray bracket	1	1	1
5	M17-5	导线环	thread guide hook	4	4	4
6	M17-6	线托棒	spool pin	3	4	5
7	M17-7	线盘	spool tray	3	4	5
8	M17-8	线圈定位套	centering device	3	4	5
9	M17-9	棒架	clamp plate	1	1	1
10	M17-10	线盘垫	spool tray cushion	3	4	5
11	M17-11	导线棒	thread guide connecting bar	1	1	1
12	M17-12	因达器	thread guide joint	1	1	1
13	M17-13	固定板	thread stand holder	1	1	1
14	M17-14	导线棒	thread guide bar	1	1	1
15	M17-15	大导线棒	thread spool tray bracket	1	1	1
16	M17-16	过线板	thread guide plate	1	1	1
17	M17-17	托线架	thread spool tray bracket	1	1	1
18	M17-18	过线环	thread guide hook	3	3	3
19	M17-19	棒帽	rubber seal	1	1	1
1	S088	导线环螺钉	thread guide hook screw	4	4	4
2	N06	导线环螺母	thread guide hook screw	4	4	4
3	W02	导线环垫圈	thread guide washer	4	4	4
4	S075	棒架螺钉	clamp plate screw	3	3	3
5	S051	棒架螺钉	stand holder screw	1	1	1
6	N04	螺母	nut	8	8	8
7	W16	下管垫圈	lower washer	2	2	2
8	N05	螺母	nut	1	1	1
9	W05	垫圈	nut	4	4	4
10	S087	固定板螺钉	thread stand holder screw	1	1	1
11	S089	固定板连接螺钉	thread stand holder join screw	1	1	1



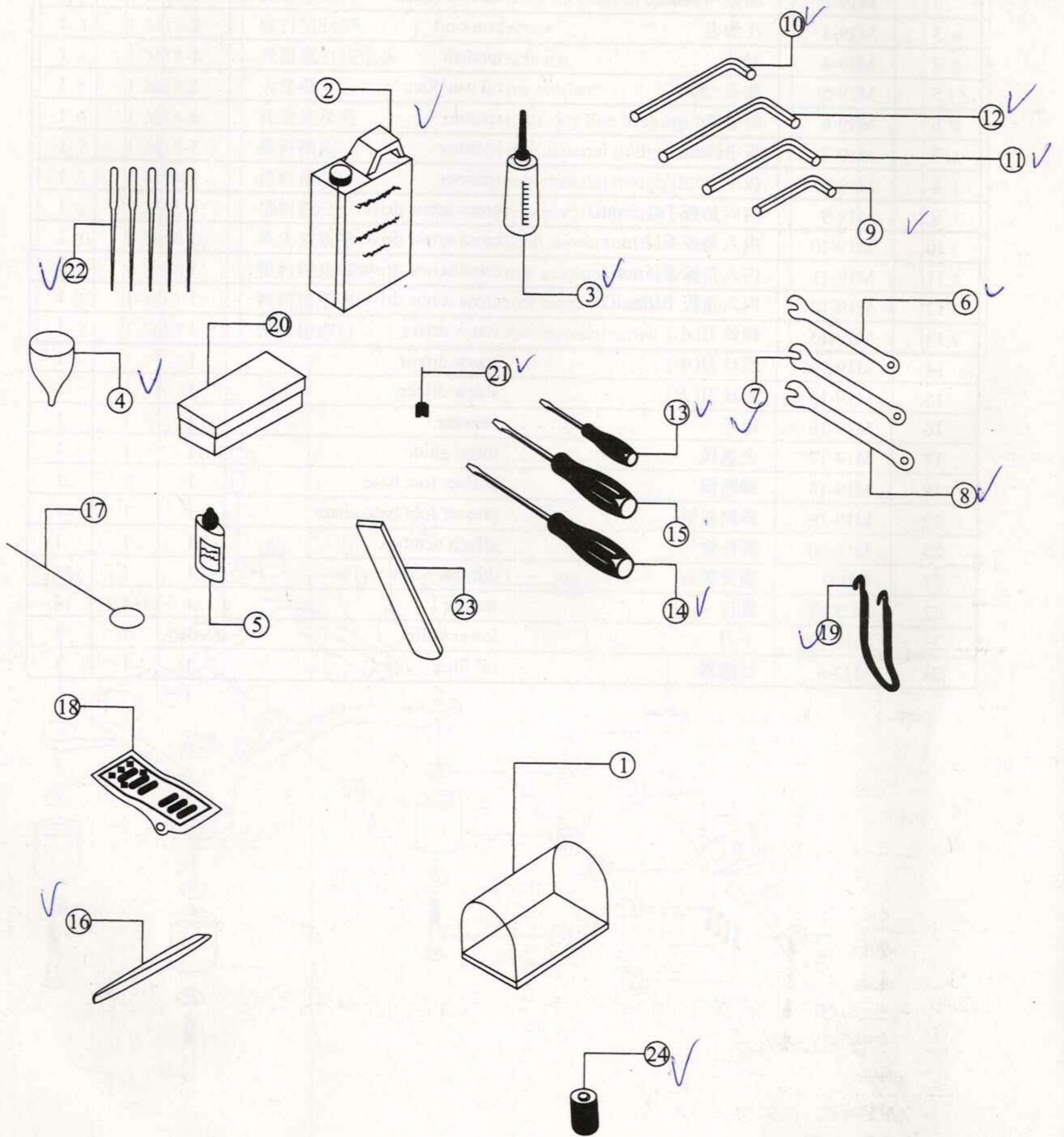
# 十八、托盘、排料部分 / Plater row material assemblies

序号 Ref.No	零件编号 Part No.	名称 Name	数量 Amt. Req.		
			3	4	5
1	M18-1	机头托盘	1	1	1
2	M18-2	减震垫组件			
3	M18-3	螺钉M8x55	4	4	4
4	M18-4	托盘螺钉固定头	4	4	4
5	M18-5	大垫圈	12	12	12
6	M18-6	托盘连接套	4	4	4
7	M18-7	排料槽座	1	1	1
8	M18-8	排料槽(1)	1	1	1
9	M18-9	排料槽(2)	1	1	1
10	M18-10	机头减震垫	1	1	1
1	S076	排料槽座螺钉	3	3	3
2	W13	排料槽垫圈	4	4	4
3	S077	排料槽螺钉	4	4	4










## 十九、随机附件部分 / Accessories assemblies












序号 Ref.No	零件编号 Part No.	名称	Name	数量 Amt. Req.		
				3	4	5
1	M19-1	机罩	machine head cover	1	1	1
2	M19-2	油壶/1000cc	oil can/100cc	1	1	1
3	M19-3	注油壶	notes oil	1	1	1
4	M19-4	漏斗	tundish	1	1	1
5	M19-5	油壶/50cc	oil can/50cc	1	1	1
6	M19-6	扳手(6mm)	spanner	1	1	1
7	M19-7	扳手(7mm)	spanner	1	1	1
8	M19-8	扳手(8mm)	spanner	1	1	1
9	M19-9	内六角扳手(1.5mm)	cross screw driver	1	1	1
10	M19-10	内六角扳手(2mm)	cross screw driver	1	1	1
11	M19-11	内六角扳手(5mm)	cross screw driver	1	1	1
12	M19-12	内六角扳手(6mm)	cross screw driver	1	1	1
13	M19-13	螺丝刀(小)	screw driver	1	1	1
14	M19-14	螺丝刀(中)	screw driver	1	1	1
15	M19-15	螺丝刀(大)	screw driver	1	1	1
16	M19-16	镊子	tweezer	1	1	1
17	M19-17	金属线	metal guide	1	1	1
18	M19-18	脚踏板	presser foot base	1	1	1
19	M19-19	脚踏板链	presser foot base chain	1	1	1
20	M19-20	附件盒	affach nentbox	1	1	1
21	S009	顶针螺钉	thimble screw	1	1	1
22	DCX27	机针	needle	4	4	4
23	M11-19	下刀	lower knife	1	1	1
24	M13-6	过滤器	oil filter	1	1	1



# 737/747/757 系列专用件

												
机型	用途	针板 编号	主送布 牙编号		差 动牙 编号	压脚	上弯 针	针夹	垫圈	针杆 曲柄	下弯 针摆 动曲 柄	针号
737-3- 505F1 -04	下摆暗缝, 薄、中 厚物, 作暗缝卷边 作业	E784	D438	D674	H442	P152D-3	LP26	KG131-E	KJ10F	KF25-A	KJ09B-E	DC27#9
737-3- 504M1 -15	卷边缝, 薄物、适 用于女衬衫手帕等 装饰作业	E934	D438	D912	H442	P152D-A	LP26	KG131-E	KJ10F	KF25-A	KJ09B-E	DC27#9
737-3- 504M2 -04	一般缝纫, 薄、中 厚物, 用于基本缝 纫及西裤包边	E800	D440	D095	H445	P253E-4	LP26	KG131-E	KJ10F	KF25-A	KJ09B-E	DC27#11
747-4- 514M2 -24	一般缝纫, 薄、中 厚物, 用于针织内 衣, 妇女、儿童等 服装肩缝, 腋缝等 作业	E919	D440	D095	H445	P253E-4	LP26	KG142-E	KJ13F	KF26-A	KJ11B-E	DC27#11*2
757-5- 516M2 -35	一般缝纫, 薄、中 厚物, 用于裤子、 睡衣、衬衫、运动 服等直缝作业, 缝 纫宽度 0.8cm	E982	D489	D502	H497	P504-A	LP26	KG153-E	KJ13F	KF26-A	KJ11B-E	DC27#14*2
757- 516M2 -55	一般缝纫, 极厚 物, 适于工作服, 女衬衫的侧旁缝和 肩缝等作业缝纫宽 度 1cm	E986	D489	D502	H500	P502-A	LP26	KG155-E	KJ13F	KF26-A	KJ11B-E	DC27#14*2
757-5- 516X2 -56	一般缝纫, 极厚 物适于牛仔服的 侧缝, 内档等作 业, 具有极厚物 用的双板式压脚	E870	D490	D502	H501	P960-A	LP38	KG155-E	KJ13F	KF26-A	KJ11B-E	DC27#18*2

# COMPONENTS FOR 757, 747, 737 MODE

												
MODE	PURPOSE	NO.OF THROAT PLATE	NO.OF FEED DOG		NO.OF DIFERENTIAL RATIO FEED DOG	PRESSER FOOT	UPPER LOOPER	NEEDLE CLAMP	WASHER	NEEDEL BAR SHAFT	LOWER LOOPER SHAFT	NO.OF NEEDLE
737-3-505F1-04	Front-concealed seam thin-middle-thick cloth	E784	D438	D674	H442	P152D-3	LP26	KG131-E	KJ10F	KF25-A	KJ09B-E	DC27#9
737-3-504M1-15	Crimping Seam thin cloth applicable to decoration of blouses and hand kerchiefs	E934	D438	D912	H442	P152D-A	LP26	KG131-E	KJ10F	KF25-A	KJ09B-E	DC27#9
737-3-504M2-04	General sewing for thin-middle-thick cloth, applicable to trousers piperation	E800	D440	D095	H445	P253E-4	LP26	KG131-E	KJ10F	KF25-A	KJ09B-E	DC27#11
747-4-514M2-24	General sewing for thin-middle-thick cloth, shoulder and armpit sewing knitting underwear and women and chidren clothes	E919	D440	D095	H445	P253E-4	LP26	KG142-E	KJ13F	KF26-A	KJ11B-E	DC27#11*2
757-5-516M2-35	General sewing for thin-middle-thick cloth,applicable to trousers bed-gown shirt	E982	D489	D502	H497	P504-A	LP26	KG153-E	KJ13F	KF26-A	KJ11B-E	DC27#14*2
757-516M2-55	General sewing for very thick cloth applicable to overalls blouses,side and shoulder seam sewing width 1cm	E986	D489	D502	H500	P502-A	LP26	KG155-E	KJ13F	KF26-A	KJ11B-E	DC27#14*2
757-5-516X2-56	General sewing for very thick cloth applicable to side seam or inside crotch with 2-board presser-bar	E870	D490	D502	H501	P960-A	LP38	KG155-E	KJ13F	KF26-A	KJ11B-E	DC27#18*2